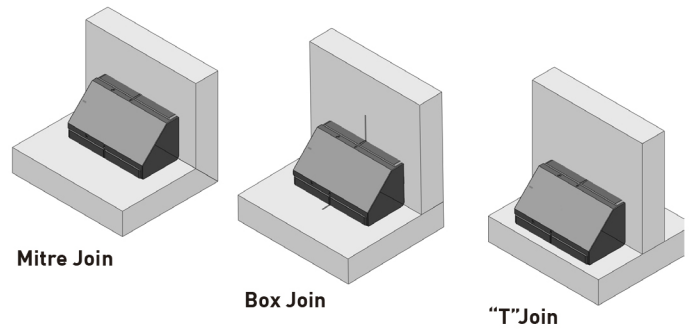


Material	High Impact Poly Styrene (HIPS)
Colour	Black
Fixing Method	8G Screws (4x) or Glue

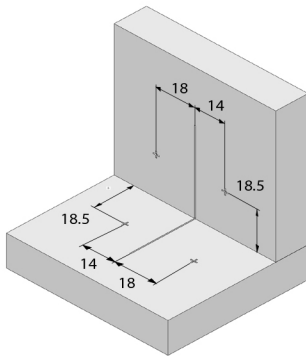
## Mounting

### 90 Degree Joints



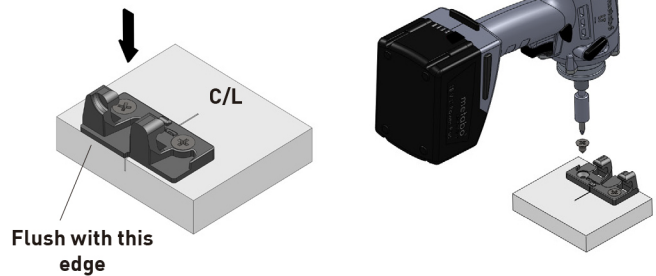
The 90D 51 works on mitre joints, box joints, and 'T' joints.

1



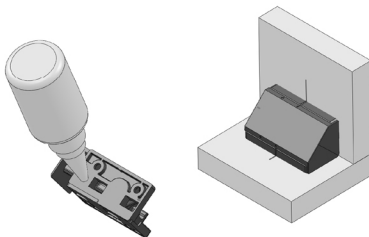
Mark center line on both substrates. Mark mounting screw center points by measuring or place product in position and mark.

2



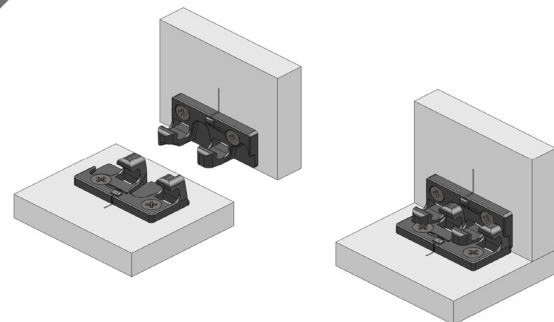
Orientate and fasten each Hook with 2 x 8G screws. Ensure sufficient screw embedment in substrate. Align center line on hook to center line on substrate. Keep Hook flush with edge indicated.

3



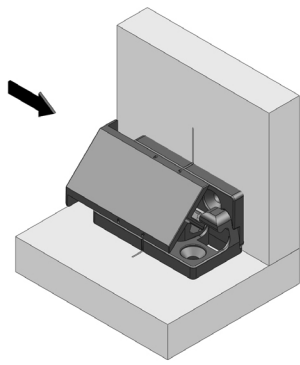
An alternative to marking screw locations is to apply glue to the mounting faces of the Hooks to aid placement. Line up notches in the Hooks with the marked lines then press and hold the assembled 90D in place. Allow time for glue to dry.

4

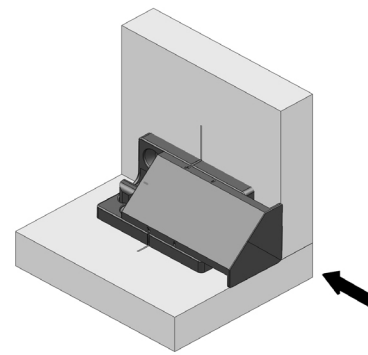


After all screws are in place, bring the two substrates together. The two sets of Hooks will self-align as shown.

5a



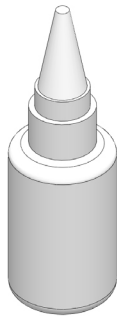
5b



Install the Key remembering it only needs to travel 1 pitch for full engagement. Use the padlock symbol as a guide. The Key is also bidirectional and can be installed either end, see step 5b.

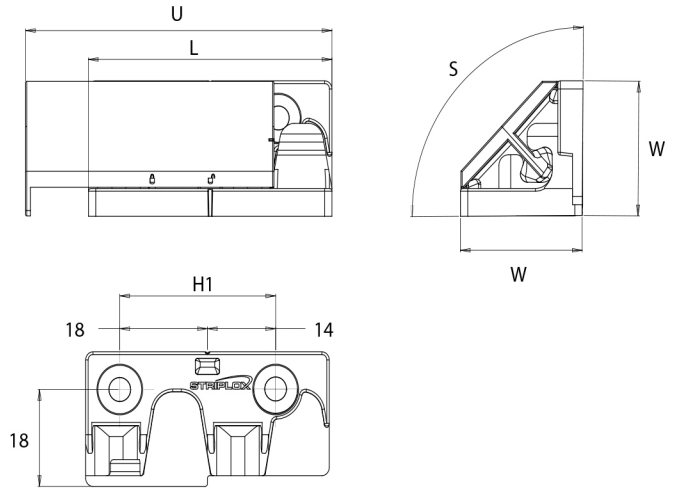
Key being installed in other end of the assembled Hooks.

### Installation Aids



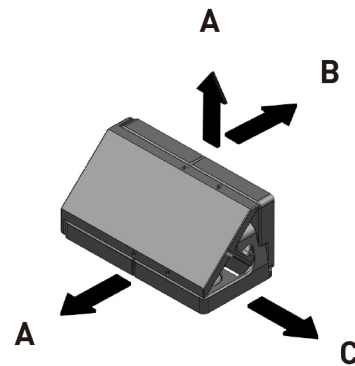
#### Striplox Liquidlox

Instant adhesive with a 15 second cure time. Liquidlox delivers a strong and reliable connection between Striplox products and most substrates.



### Indicative Load Capacity

Units	A	B	C
Metric (kg)	75	10	200
Imperial (lbs)	165	22	440



### Dimensions

Units	W	L	S	U	H1
Metric (mm)	25	51	90°	64	32
Imperial (in)	1	2	90°	2 1/2	1 1/4

Striplox products are designed and tested for a range of applications. Product use is subject to variable materials and conditions. Technical information and load capacities are a guide only without warranty. Joinlox will not be liable for any subsequent damage to, or loss from, the use of these products or this information.