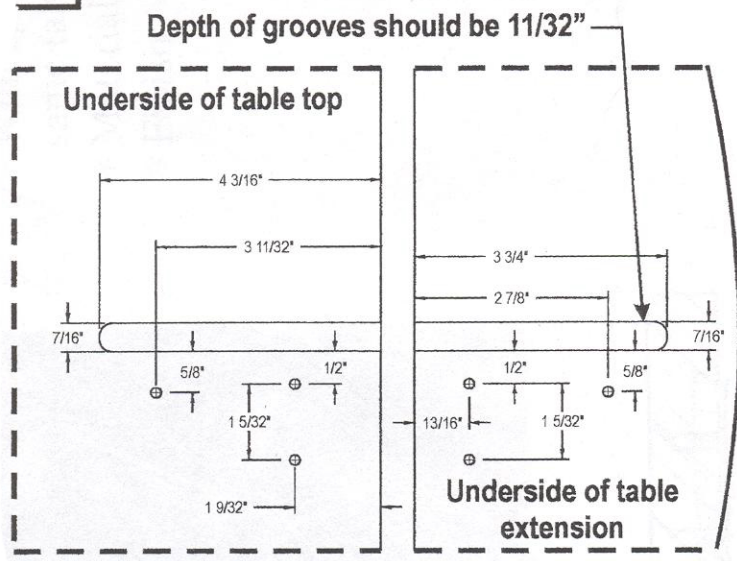
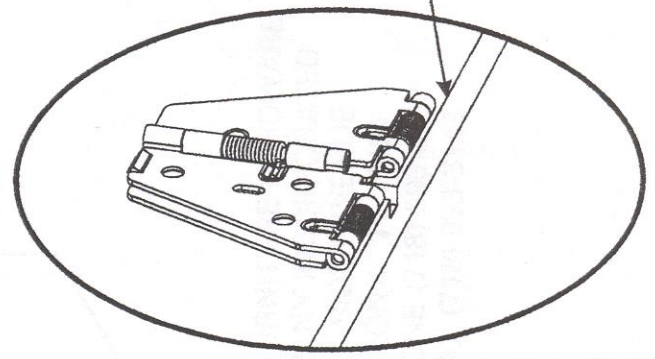


**1** HOLE LOCATIONS AND GROOVE DIMENSIONS: [BOTTOM VIEW]



**IMPORTANT NOTE:**  
Align hinge with the edge of the table top



**2** SECURING HINGE

Secure in place with screws

Place hinge such that the knuckle is sitting in the grooves

