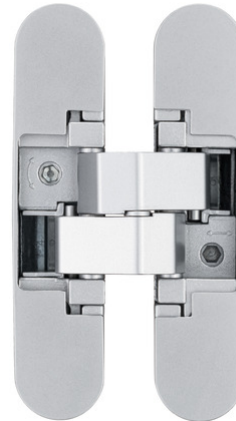


AN 180 3D

for unrebated residential doors up to 80 kg



Product features

- completely concealed hinge system
- for timber and aluminium frames
- for unrebated residential doors
- 3D adjustment (side +/- 1,5 mm, height +/- 2,5 mm, compression +/- 1,0 mm)
- material zamak / steel

Technical data

Property	Value
Load capacity	80,0 kg
Overall length	110,0 mm
Width (door part)	24,0 mm
Width (frame part)	24,0 mm
Cutter diameter	16,0 mm
Collar ring diameter	27,0 mm
Opening angle	180°

Notes

The load capacity mentioned above refers to the use

Quality marks



CE certification



IFT certification



UL certification

Classification code

3	7	4	1 ¹	1	- ²	0	11
---	---	---	----------------	---	----------------	---	----

¹ Test evidence for functional doors to be achieved with full door sets and assemblies.

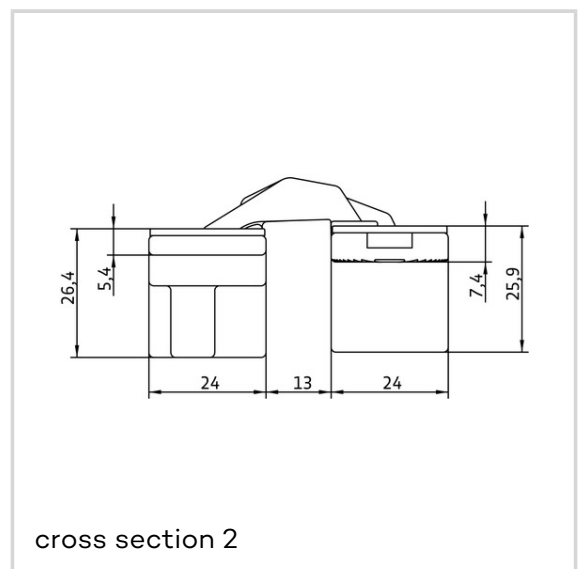
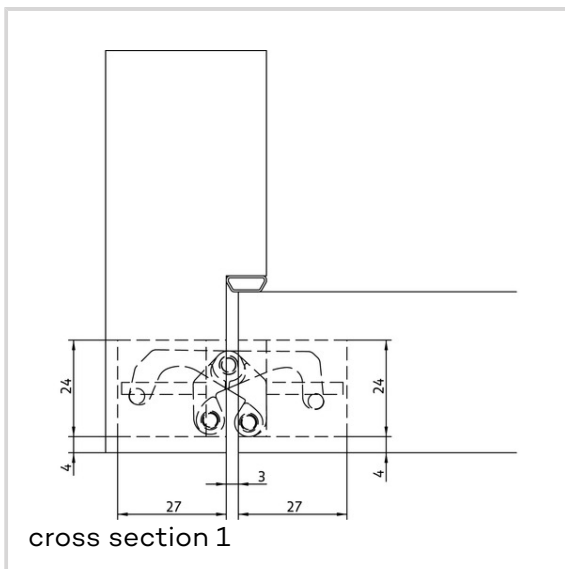
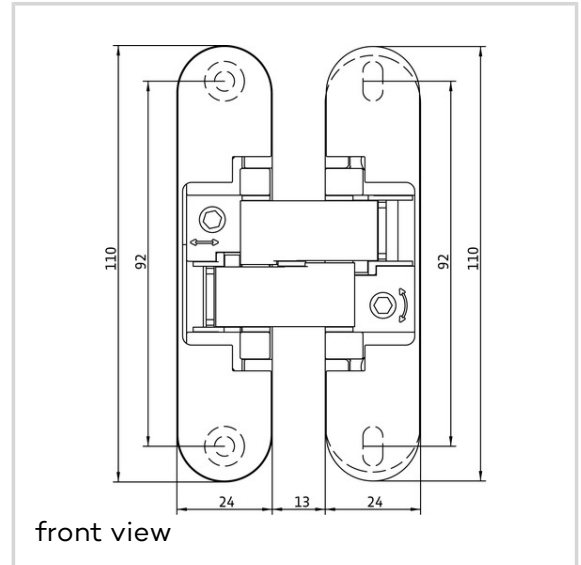
² depending on the finish

ANSELMI - AN 180 3D

of 2 hinges per door leaf (900 x 2100 mm).

Suggested screws: Frame side: Countersunk head screws DIN 7505 A, Diameter 4,5 mm Door side: Pan head screws DIN 7505 B, Diameter 4,5 mm

Alternatively, the routing can be carried out with a cutter diameter of 14,0 mm and a collar ring diameter of 25,0 mm.



ANSELMi - AN 180 3D

