



K Push Tech

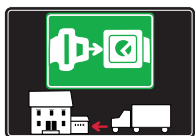
PUSH
CATCHES
AND
MAGNETIC
CATCHES





SYMBOLS AND FINISHES LEGEND

SYMBOLS



= SHELF SAFELY LOCKED DURING TRANSPORTATION AND AT HOME



= ANTI-TURNOVER LOCKING SYSTEM



= NORMS / PATENTS



= PHILLIPS / POZIDRV



= WITH BUFFER



= PART NO.



= BLADE SLOT



= WITH MAGNET



= PCS. PER PACKAGE



= COMBI SLOT



= HEXAGONAL SOCKET



= NEWTON



= CAPACITY LOADING



= HEXALOBULAR SOCKET



= FRICTION



= WOOD / GLASS THICKNESS



= COUNTERSUNK HEAD



= AUTOMATIC



= HOLE DIAMETER



= PAN HEAD



= DROP DOWN



= DIAMETER



= FLANGE HEAD



= LENGTH



= FLAT HEAD



= STANDARD HINGE



= HEIGHT



= TRILOBULAR SCREW



= KIMANA HINGE



= RIGHT VERSION



= SELF-TAPPING SCREW



= FLAP HINGE



= LEFT VERSION



= EURO THREAD



= WITH SPRING



= SETTING CODE



= METRIC THREAD



= WITHOUT SPRING



= PCS. PER PAD



= PRE-INSERTED SCREW



= REVERSED SPRING



= CUT ON REQUEST



= PRE-INSERTED SCREW AND SPREADING BUSH



= SELF ADHESIVE



= WITH FLANGE

NOTE: Printing errors and omissions may exist despite our best efforts to ensure accuracy. We reserve the right to alter specifications without notice.

MATERIALS

ZA = Zinc Alloy

ST = Steel

HSS = High Speed Steel

BR = Brass

ABS = Acrylonitrile Butadiene Styrene

ZAnk = Nickel-plated Zinc Alloy

STzk = Zinc-plated Steel

AL = Aluminium

WD = Wood

EVA = Ethylene Vinyl Acetate

EP = ENGINEERING PLASTIC

+ **EP** = other engineering plastic available on request

SR = SOFT RUBBER + **SR** = other soft rubber available on request

EPn = Natural Engineering Plastic

EPc = Clear Engineering Plastic

SRn = Natural Soft Rubber

EPw = White Engineering Plastic

EPg = Grey Engineering Plastic

SRw = White Soft Rubber

EPwg = Water Green Engineering Plastic

EPa = Anthracite Engineering Plastic

SRb = Black Soft Rubber



FINISHES



+ **OTHER FINISHES AVAILABLE ON REQUEST**

PART NO.	FINISHES	PART NO.	FINISHES	PART NO.	FINISHES
00	Insignificant finish	IF	Middle Grey	RO	Red
AA	Natural	IJ	Light Grey	UT	T-Met 9007
AB	White	IL	Grey 20	UZ	T-Met
AE	White 9010	IN	Grey met. 26	WA	Bronzed
EA	Black	JB	Bright Aluminium	WI	Burnished
EC	Matt Black	JC	Aluminium - Chrome	XD	Satin-finished Steel
EE	Anthracite	JD	Matt Aluminium	YA	Nickel-plated
EW	Grey 9007	JE	Satin-finished Aluminium	YB	Bright Nickel-plated
FU	Gunmetal	JF	Aluminium - Brass	YC	Matt Nickel-plated
FV	Gunmetal V52	JG	Aluminium 5	YD	Satin-finished Nickel-plated
GR	Raw	JL	Aluminium PE 11	YQ	Black Nickel
HA	Brass-Plated	JM	Aluminium RAL 9006	Z9	Black Zinc
HH	Tropicalized	KA	Chrome	ZA	Zinc alloy
HL	Raw Brass	KB	Bright Chrome	ZN	Zinc-plated
HX	Graphite	KC	Matt Chrome	ZQ	Bright Gold
IA	Grey	LD	Brown 8019	ZY	Titanium
IB	Metallic Grey	NN	Metallic Beige	ZZ	Clear

K PUSH TECH

K PUSH TECH is the fully renewed and extended program of automatic opening systems for doors without handles or knobs. A special inner mechanism provides a very silent, yet powerful utilization, granting a long durability which makes it perfectly suitable for a wide range of doors. K PUSH TECH is available with buffer, for cabinets using sprung hinges, and with magnet, for cabinets using unsprung hinges or negative hinges. The aesthetic of buffers is now improved and the range of catch plates for version with magnet is even wider.

It comes with a fresh new and even more captivating design, together with an extended program, including an innovated range of spring strengths, in order to guarantee the correct functioning even with large and heavy doors, and three lengths of the output paths: Short – 14 mm, Medium – 20 mm, Long – 37 mm.

The same reference can be installed either concealed or visible, fixed with adapter housing.

The visible versions' package is composed of: push-to-open system, adapter plate and adapter housing. The new adapter housing allows to pre-install K PUSH TECH with the plate on the side of the cabinet and leave the ejector pin deactivated during its handling and transportation. The suitability of the small adapter housing for both short and medium size versions guarantees a simplified stock management.

It comes with a wide range of colors: white, grey 19 and black anthracite.

Gap between door and cabinet is reduced: activation gap is 1,4 mm, ring thickness is 0,6 mm.

Increased adjustment feature: + 6 / -0,45 mm. Beyond this negative adjustment the spring is deactivated.

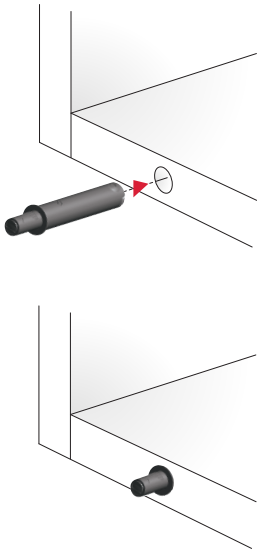
This feature allows to disable the ejector pin for safety reasons.



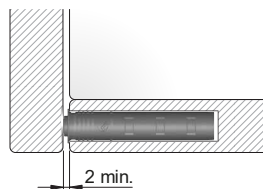
PATENT PENDING
REGISTERED DESIGN
Certificates available on request.



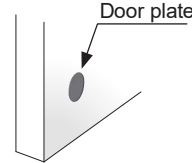
INSTALLATION TO BE EMBEDDED INSIDE THE PANEL



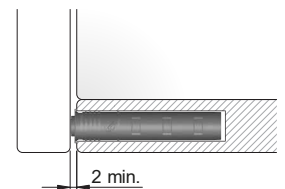
WITH MAGNET
for cabinets using **unsprung hinges** or **negative hinges**.



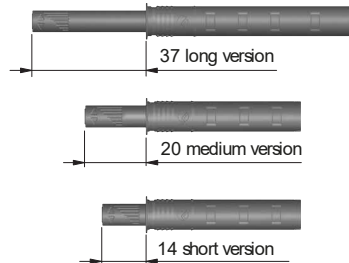
For details refer to
"K PUSH TECH AND
K LOCK DOOR PLATES".



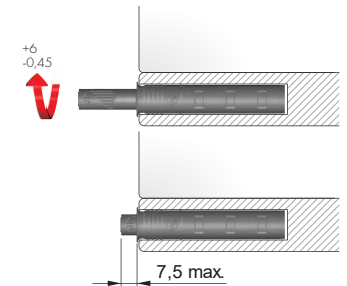
WITH BUFFER
for cabinets using **sprung hinges**.



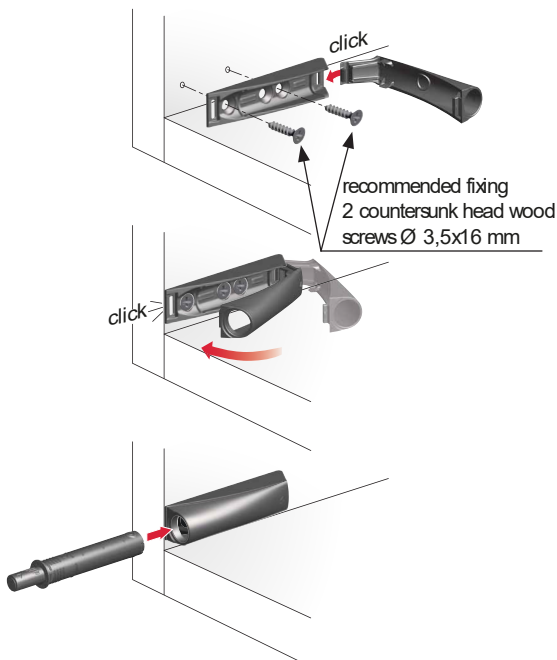
VERSIONS



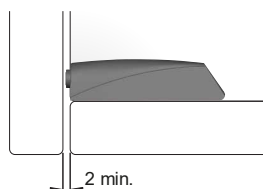
ADJUSTMENTS



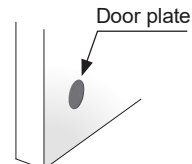
INSTALLATION THROUGH ADAPTER HOUSING



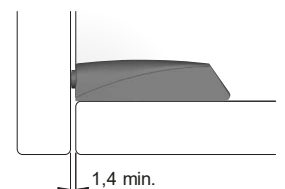
WITH MAGNET
for cabinets using **unsprung hinges** or **negative hinges**.



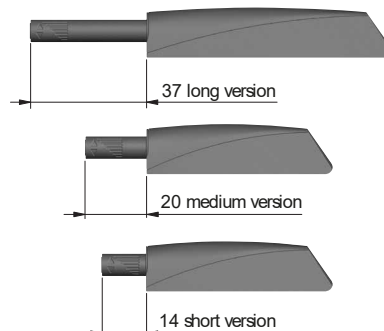
For details refer to
"K PUSH TECH AND
K LOCK DOOR PLATES".



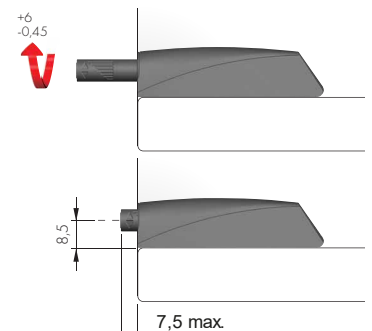
WITH BUFFER
for cabinets using **sprung hinges**.



VERSIONS

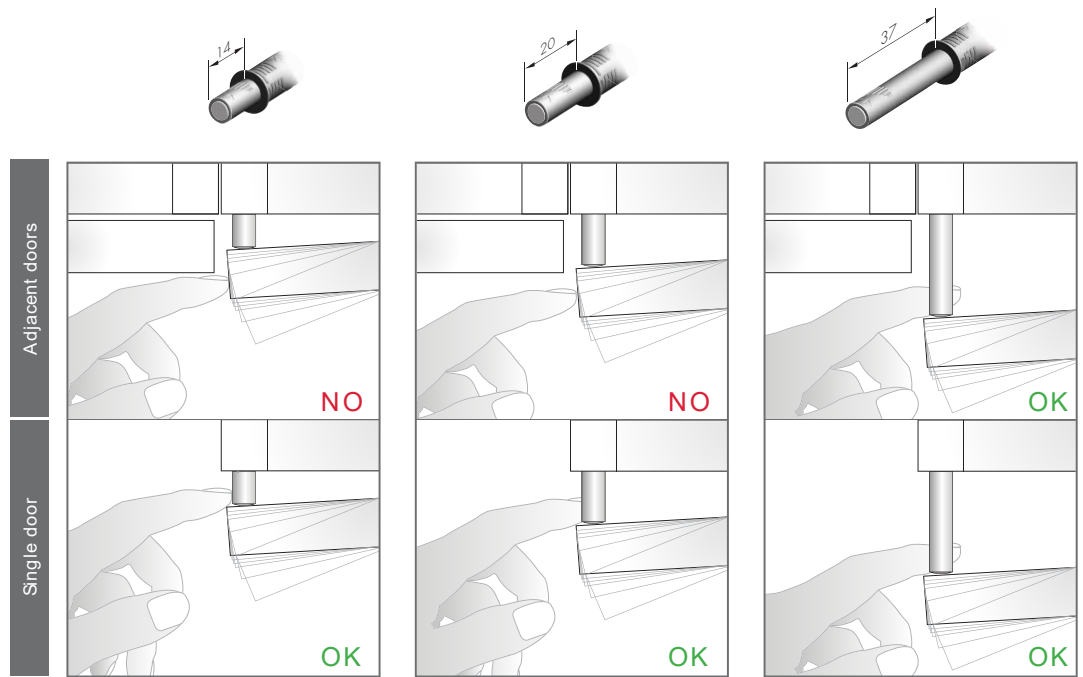
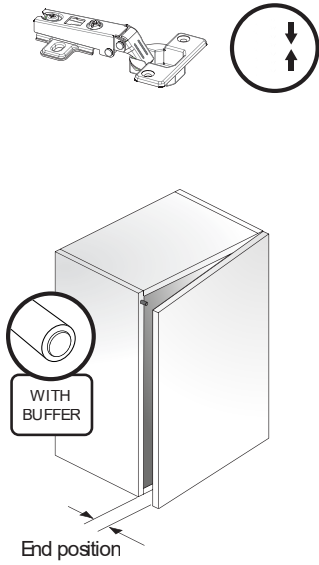


ADJUSTMENTS

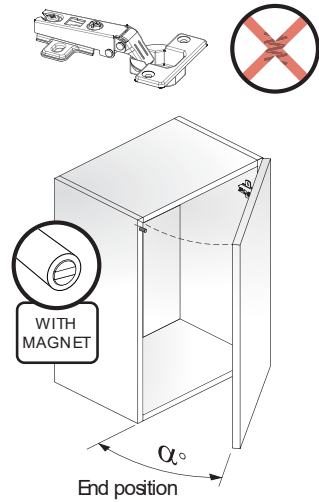




APPLICATION WITH SPRUNG HINGES



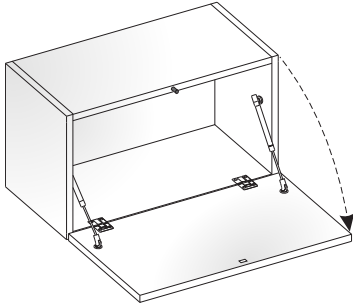
APPLICATION WITH UNSPRUNG HINGES



Door dimensions	Range weight	Indicative α° end door position				
		14	20	20 (STRONG)	37	37 (STRONG)
Small door size	2 - 5 kg	$\pm 30^\circ$	$\pm 37^\circ$	$\pm 40^\circ$	$\pm 55^\circ$	$\pm 70^\circ$
Medium door size	5 - 8 kg	$\pm 25^\circ$	$\pm 30^\circ$	$\pm 35^\circ$	$\pm 45^\circ$	$\pm 50^\circ$
Large door size	15 - 18 kg	$\pm 20^\circ$	$\pm 28^\circ$	$\pm 30^\circ$	$\pm 40^\circ$	$\pm 45^\circ$
Maxi door size	30 - 35 kg	-	$\pm 20^\circ$	$\pm 25^\circ$	$\pm 30^\circ$	$\pm 35^\circ$

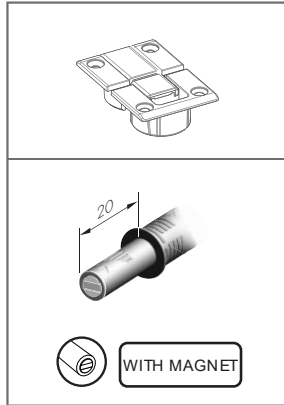
Small and Medium door size tested with 2 hinges. Large and Maxi size doors tested with 5 hinges. Please note that test results are indicative. End door position may vary depending on hinge brand.

DROP DOWN DOORS

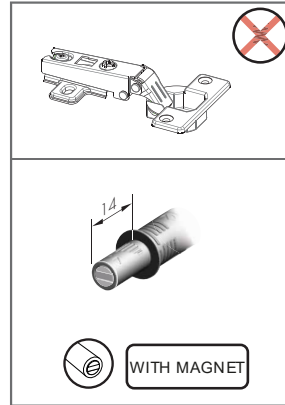


Please note that all technical specifications are based on cabinets assembled only with Italiana Ferramenta products.

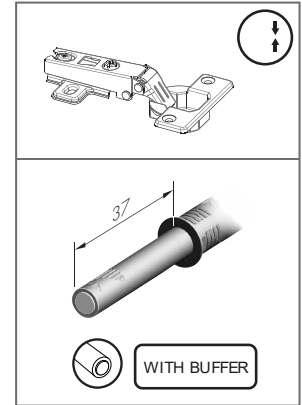
APPLICATION WITH: KIMANA HINGES



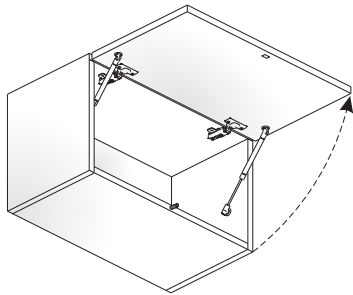
APPLICATION WITH: UNSPRUNG HINGES



APPLICATION WITH: SPRUNG HINGES

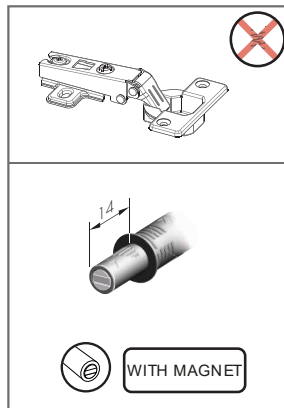


LIFT UP DOORS



Please note that all technical specifications are based on cabinets assembled only with Italiana Ferramenta products.

APPLICATION WITH: UNSPRUNG HINGES

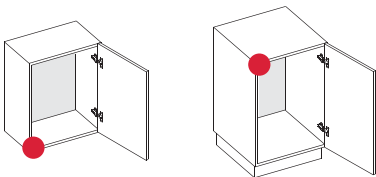


SUGGESTED INSTALLING SPOTS FOR K PUSH TECH

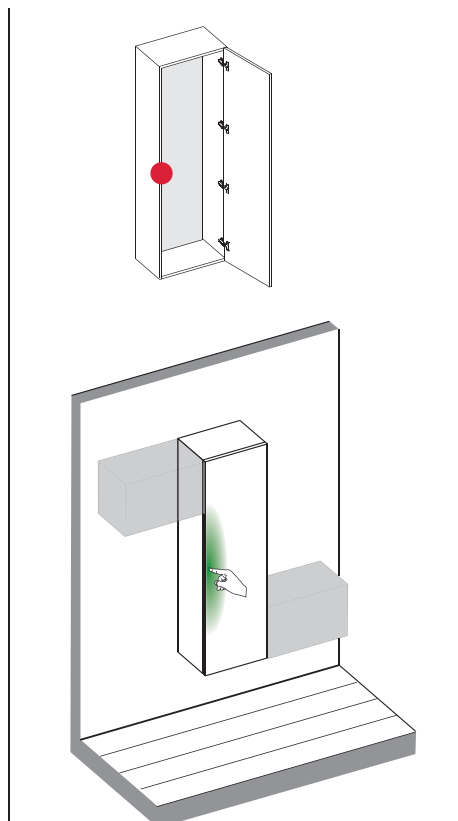
● = K PUSH TECH suggested spot

● = Activating area of K PUSH TECH

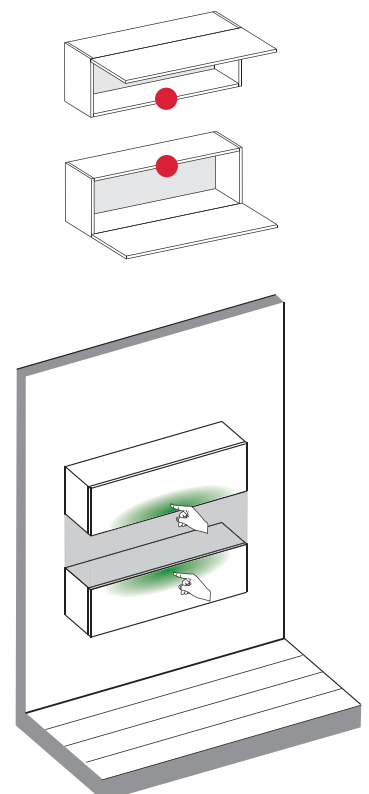
BASE CABINETS AND UPPER CABINETS WITH HINGED DOORS

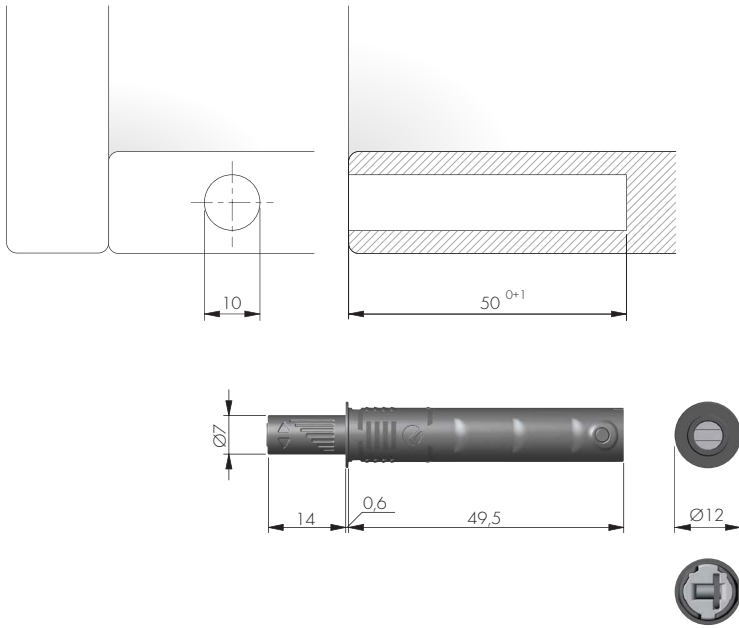


TALL CABINETS WITH HINGED DOORS

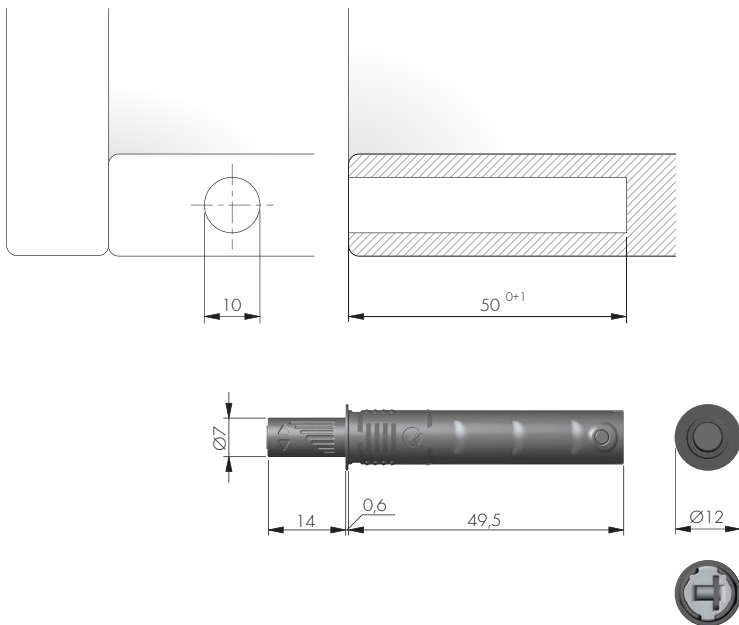


BASE CABINETS AND UPPER CABINETS WITH FLAP DOORS



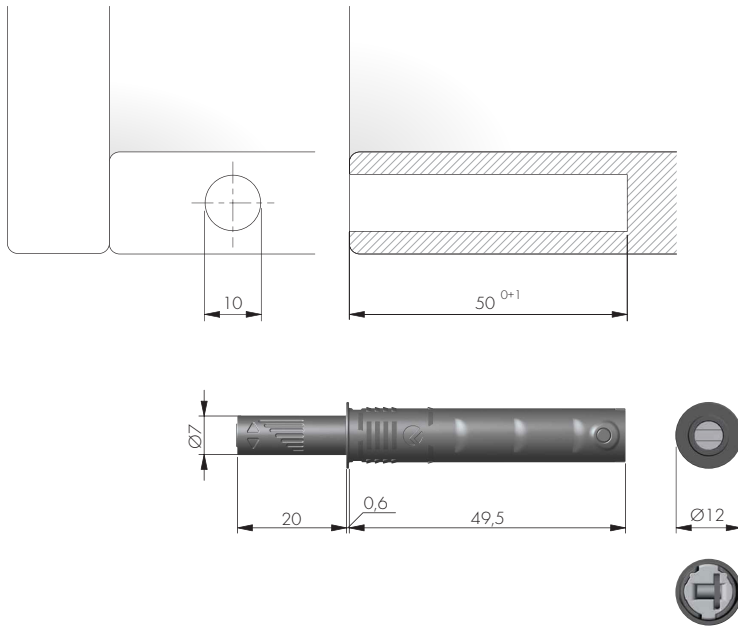






	ST	EP	= 100 pcs.
57002020EE			
57002020IJ			
57002020AB			





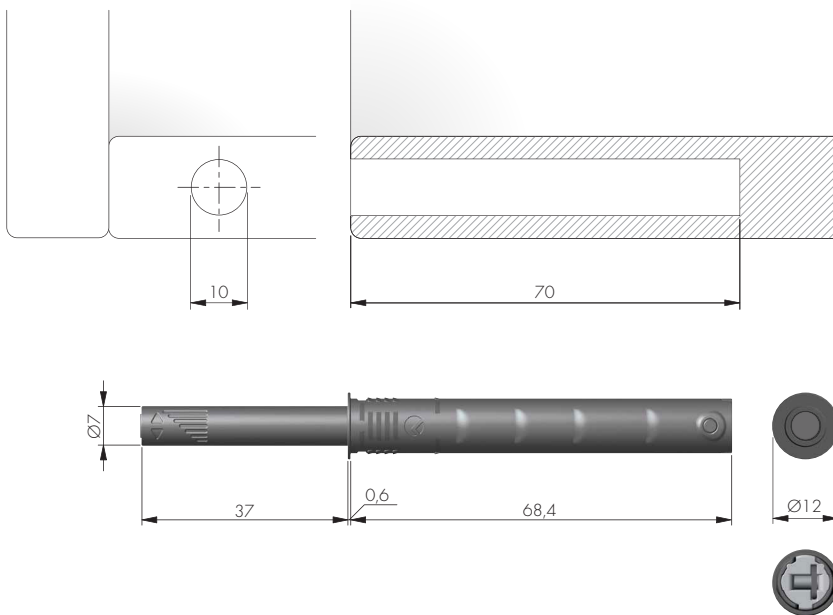
	ST	EP	SR	= 100 pcs.
57002040EE				
57002040IJ				
57002040AB				












    = 100 pcs.

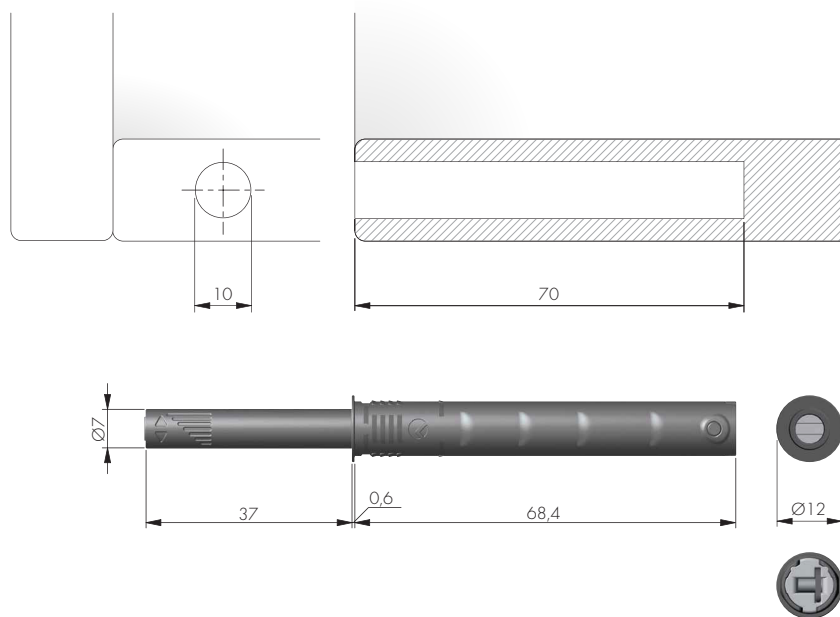
 
57004020EE
57004020IJ
57004020AB



     = 100 pcs.

 
57008040EE
57008040IJ
57008040AB

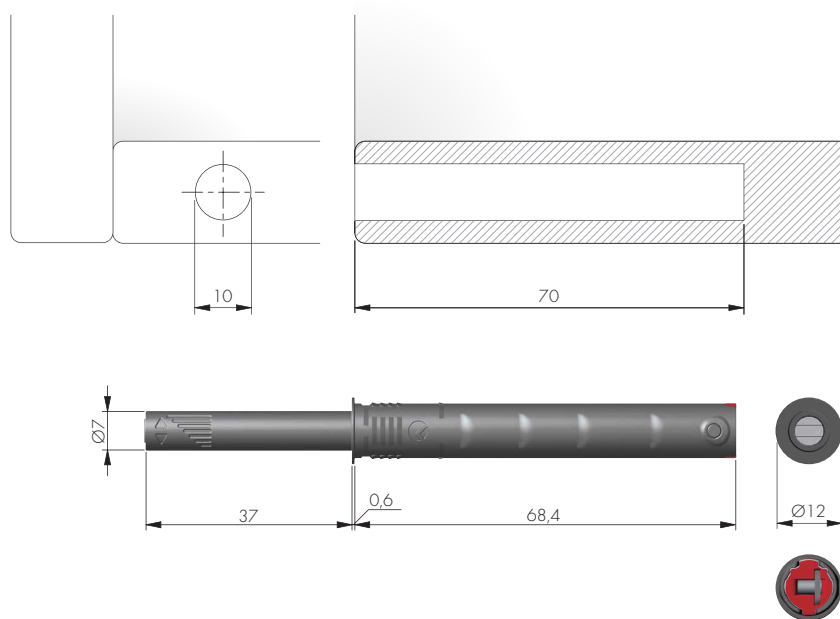




= 100 pcs.

ST EP

57008020EE
 57008020IJ
 57008020AB



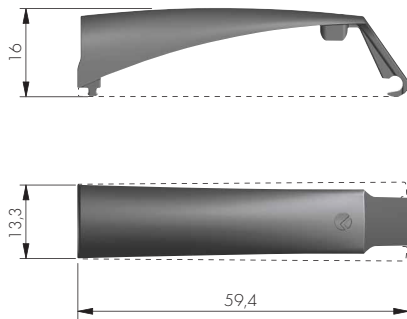
= 100 pcs.

ST EP SR

STRONG VERSION.
 57008060EE
 57008060IJ
 57008060AB



ADAPTER HOUSING AND PLATE FOR **SHORT** AND **MEDIUM** VERSIONS



EP

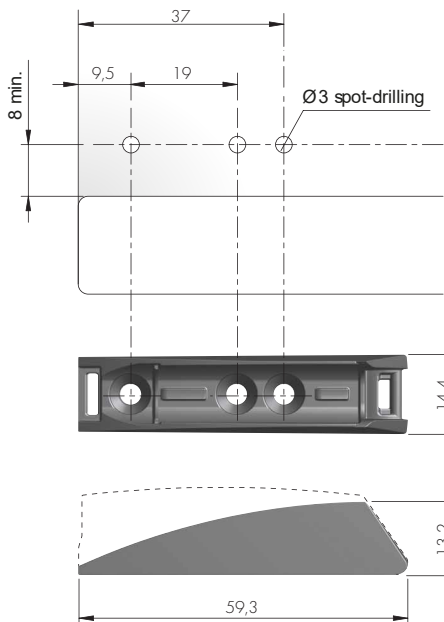
= 100 pcs.



57015020**EE**

57015020**IJ**

57015020**AB**



EP

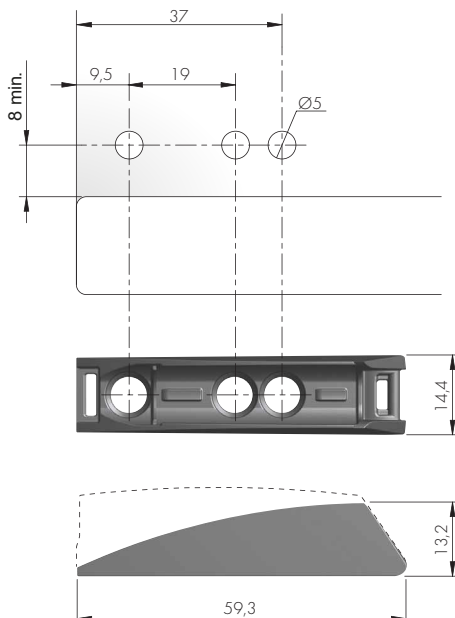
= 100 pcs.



57015040**EE**

57015040**IJ**

57015040**AB**



EP

= 100 pcs.



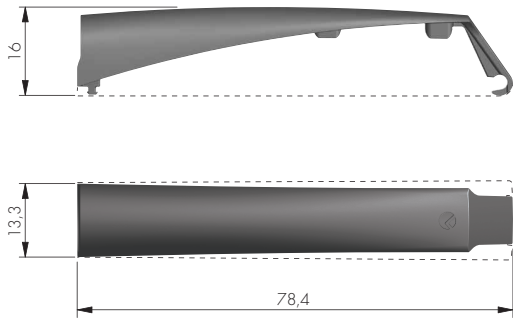
57015060**EE**

57015060**IJ**

57015060**AB**



ADAPTER HOUSING AND PLATE FOR LONG VERSION



EP

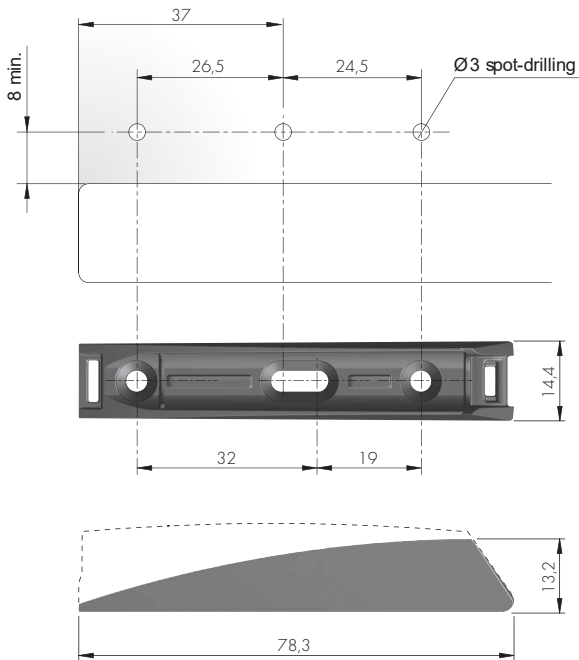
= 100 pcs.



57025020EE

57025020IJ

57025020AB



= Ø 2,5 mm

EP

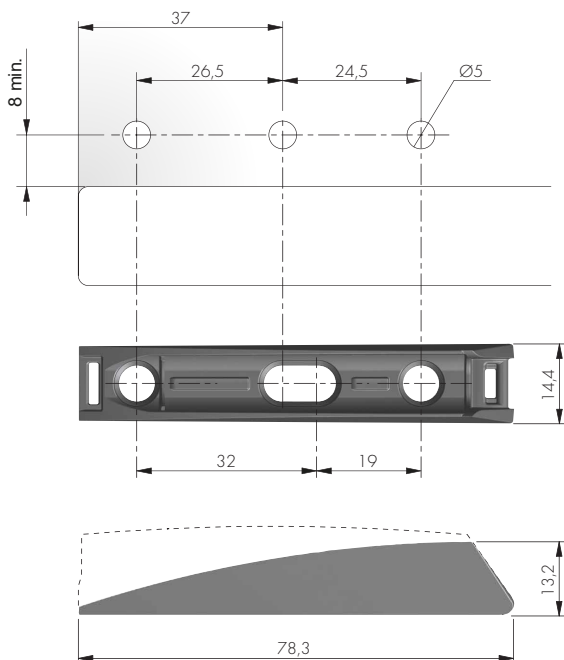
= 100 pcs.



57025040EE

57025040IJ

57025040AB



= Ø 5 mm

EP

= 100 pcs.



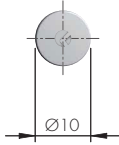
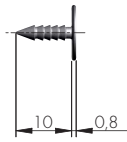
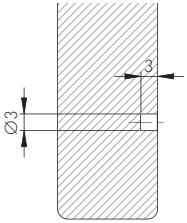
57025060EE

57025060IJ

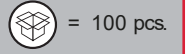
57025060AB



K PUSH TECH AND K LOCK DOOR PLATES



ST



55006030YA