

 **ITALIANA**[®]
f e r r a m e n t a



Libra H2



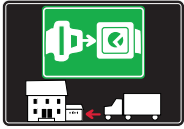
HANGERS





SYMBOLS AND FINISHES LEGEND

SYMBOLS



= SHELF SAFELY LOCKED DURING TRANSPORTATION AND AT HOME.



= ANTI-TURNOVER LOCKING SYSTEM



= NORMS / PATENTS



= PHILLIPS / POZIDRIV



= NEWTON



= PART.NO



= HEXAGONAL SOCKET



= FRICTION



= PCS. PER PACKAGE



= BLADE SLOT



= AUTOMATIC



= COMBI SLOT



= DROP DOWN



= CAPACITY LOADING



= COUNTERSUNK HEAD



= WOOD / GLASS THICKNESS



= PAN HEAD



= STANDARD HINGE



= HOLE DIAMETER



= FLANGE HEAD



= KIMANA HINGE



= DIAMETER



= FLAT HEAD



= FLAP HINGE



= LENGTH



= TRILOBULAR SCREW



= WITH SPRING



= HEIGHT



= SELF-TAPPING SCREW



= WITHOUT SPRING



= RIGHT VERSION



= EURO THREAD



= REVERSED SPRING



= LEFT VERSION



= METRIC THREAD



= SETTING CODE



= PRE-INSERTED SCREW



= FOR ROUND TUBE



= PCS. PER PAD



= PRE-INSERTED SCREW AND SPREADING BUSH



= FOR OVAL TUBE



= CUT ON REQUEST



= WITH BUFFER



= SELF ADHESIVE



= WITH MAGNET



= WITH FLANGE

NOTE: Printing errors and omissions may exist despite our best efforts to ensure accuracy. We reserve the right to alter specifications without notice.

MATERIALS

ZA = Zinc Alloy	ST = Steel	HSS = High Speed Steel	BR = Brass	ABS = Acrylonitrile Butadiene Styrene
ZAnk = Nickel-plated Zinc Alloy	STzk = Zinc-plated Steel	AL = Aluminium	WD = Wood	EVA = Ethylene Vinyl Acetate

EP = **ENGINEERING PLASTIC**

+ **EP** = other engineering plastic available on request

SR = **SOFT RUBBER**

+ **SR** = other soft rubber available on request

EPn = Natural Engineering Plastic

EPc = Clear Engineering Plastic

SRn = Natural Soft Rubber

EPw = White Engineering Plastic

EPg = Grey Engineering Plastic

SRw = White Soft Rubber

EPwg = Water Green Engineering Plastic

SRb = Black Soft Rubber



FINISHES



+ **OTHER FINISHES AVAILABLE ON REQUEST**

PART. NO	FINISHES	PART. NO	FINISHES	PART. NO	FINISHES
AA	Natural	JB	Bright Aluminium	RO	Red
AB	White	JC	Aluminium - Chrome	UZ	T -Met
AC	Opal White	JD	Matt Aluminium	WA	Bronzed
AE	White 9010	JE	Satin-finished Aluminium	WI	Burnished
AK	Champagne	JF	Aluminium - Brass	XD	Satin-finished Steel
AL	Ivory	JG	Aluminium 5	YA	Nickel-plated
EA	Black	JL	Aluminium PE 11	YB	Bright Nickel-plated
EB	Glossy Black	JM	Aluminium RAL 9006	YC	Matt Nickel-plated
EC	Matt Black	KA	Chrome	YD	Satin-finished Nickel-plated
EE	Anthracite	KB	Bright Chrome	YQ	Black Nickel
FU	Gunmetal	KC	Matt Chrome	ZA	Zinc alloy
GR	Raw	MA	Brown	ZN	Zinc-plated
HA	Brass-Plated	MB	Light Brown 1	ZQ	Bright Gold
HH	Tropicalized	NN	Metallic Beige	ZY	Titanium
HL	Raw Brass	NO	Beige	ZZ	Clear
HX	Graphite	OA	Oak	00	Insignificant finish
IA	Grey	OZ	Ash		
IB	Metallic Grey	PA	Light Ash		
IF	Middle Grey	PZ	Beech		
IJ	Light Grey	QB	Walnut		

LIBRA H1 - H2 - H3 - H4 LIVING SETTINGS





LIBRA H2

LIBRA is the innovative family of CABINET HANGERS and WALL PLATES especially conceived to satisfy all the customer's needs. The **LIBRA** hangers are to be installed behind the rear panel with the only small cover caps left visible inside the cabinet.

LIBRA is a very resistant and reliable solution as the zinc-coated steel body is sensibly thicker, and therefore stronger.

All the models within the **LIBRA** family feature an innovative **ANTI-TURNOVER** device which is covered by patent.

LIBRA H2 is the universal cabinet hanger 3 dowels + rotary lever.

Also featured in the **LIBRA** family are 5 types of wall plates and 1 types of wall bars made of very thick zinc-coated steel and hardened by punched impressions. Wall bars and wall plates feature oval holes which facilitate the correct positioning and give the possibility

to carry out the horizontal adjustment. Placement of the holes for wall-fixation has been optimised to reduce the stress on the plates and on the plugs.

LIBRA cabinet hangers allow to adjust the cabinet vertically and horizontally. The 2 movements are 100% INDEPENDENT of each other and therefore make the adjustments much easier and more efficient.

The adjustment and the locking of the **ANTI-TURNOVER** bolt can be carried out from the inside of the cabinet by using a standard PZ2 screwdriver.



75 Kg per piece



Capacity Loading 75 Kilos per piece

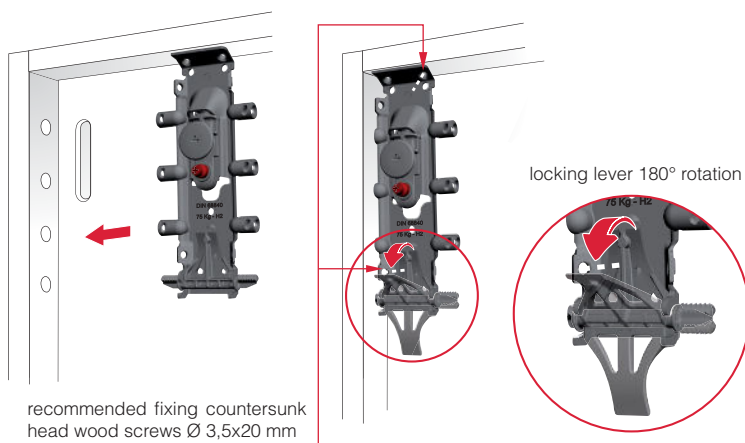
Steel, Zinc alloy.

In accordance with the regulation DIN 68840

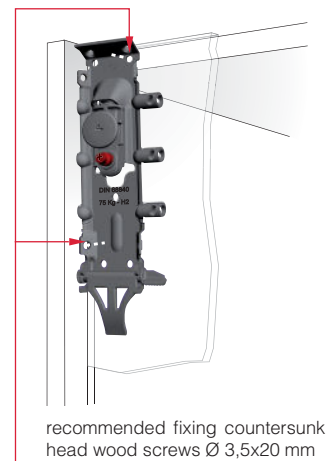
PATENTED



INSTALLATION UNDER THE CABINET TOP

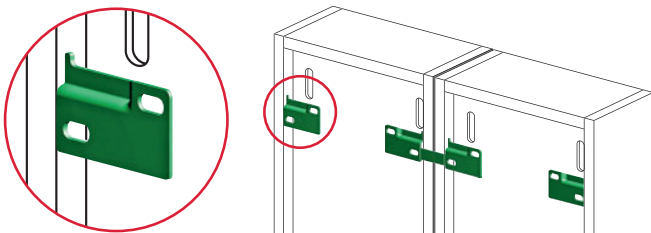


ALTERNATIVE INSTALLATIONS



INSTALLATION ON THE WALL

- For details refer to "LIBRA WALL PLATES"

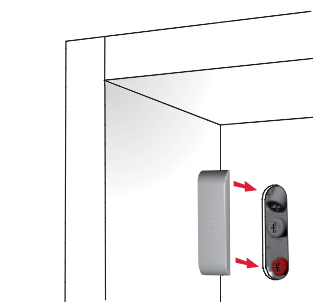


It is the responsibility of the customer:
- to ensure that the wall is of a suitable quality to hold the unit fixing in place.
- to use the proper hardware fittings according to the construction of the wall.

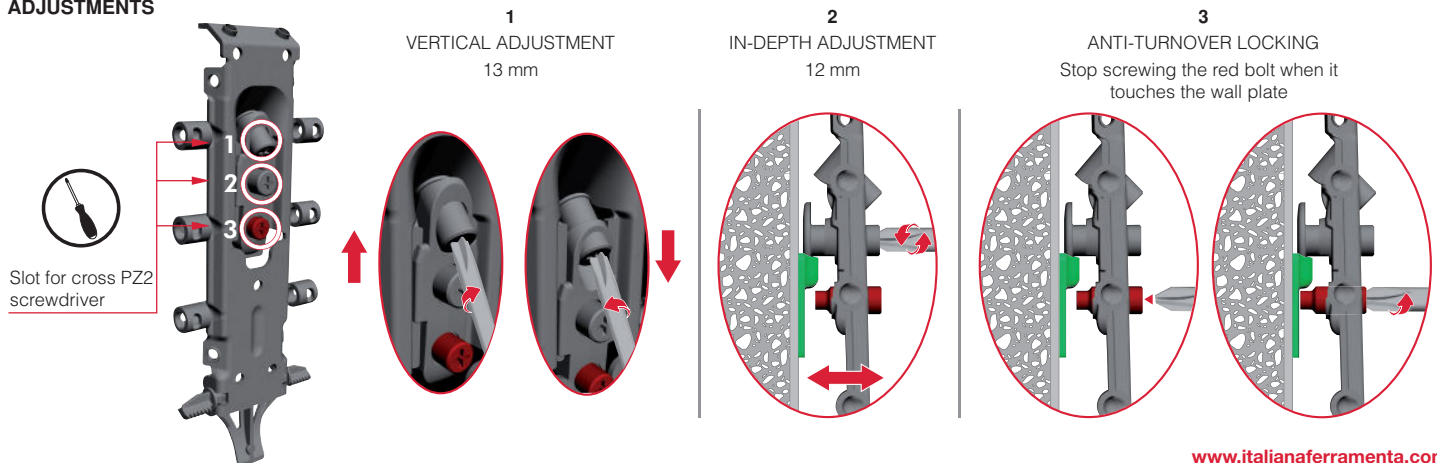
For more specific information, please refer to the WARNINGS section at the end of the catalogue.

COVER CAP INSERTING

- For details refer to "LIBRA COVER CAPS"



ADJUSTMENTS



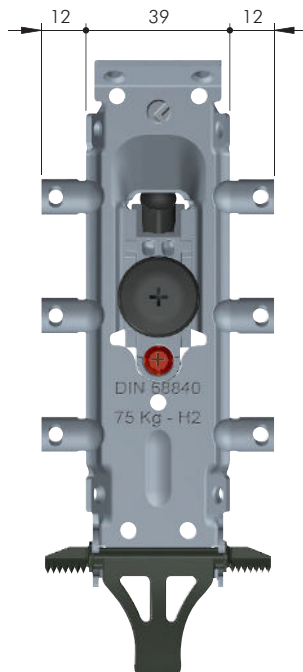
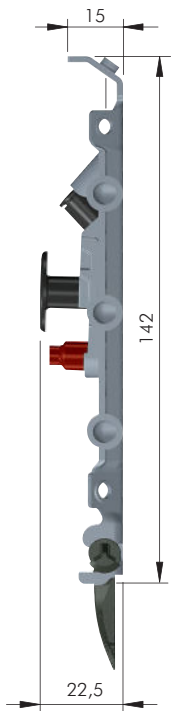
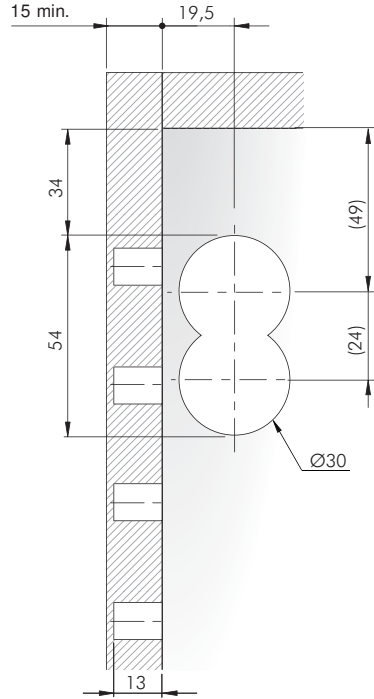
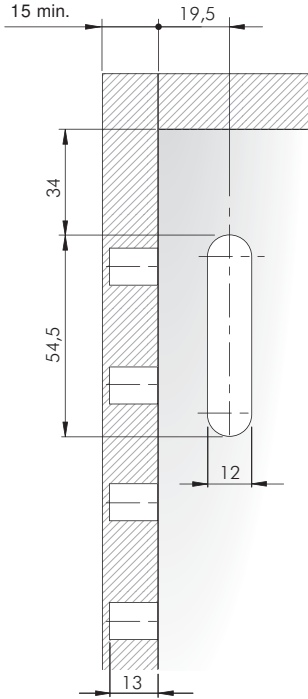
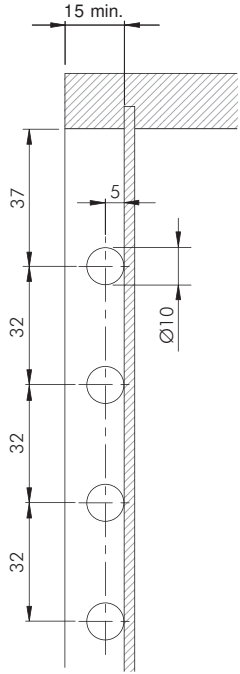
DRILLING PLAN FOR LIBRA H2 FIXED UNDER THE CABINET TOP

SIDE PANEL AND SERVICE GAP

BACK PANEL

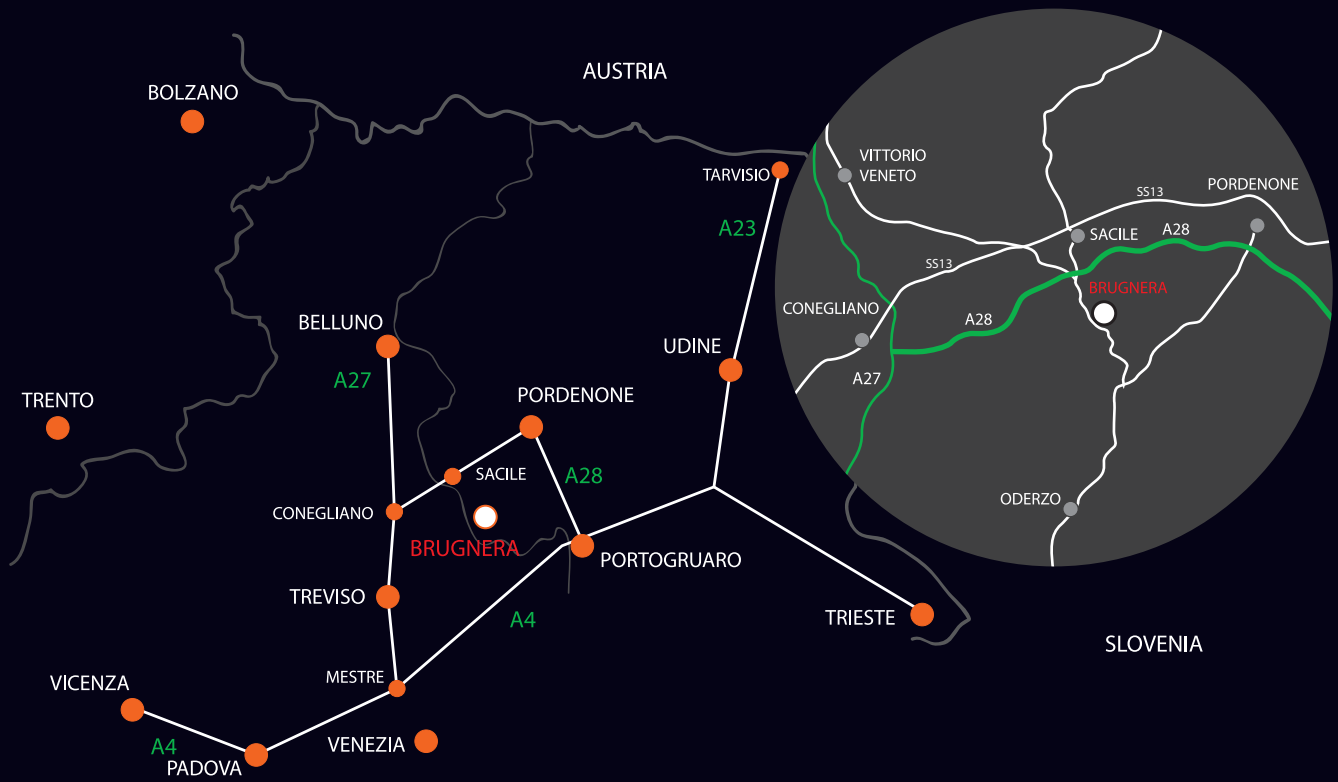
Libra CC1-CC4-CC5 cover cap

Libra CC2 cover cap



= PZ2

 = 100 pcs.



www.italianaferramenta.com