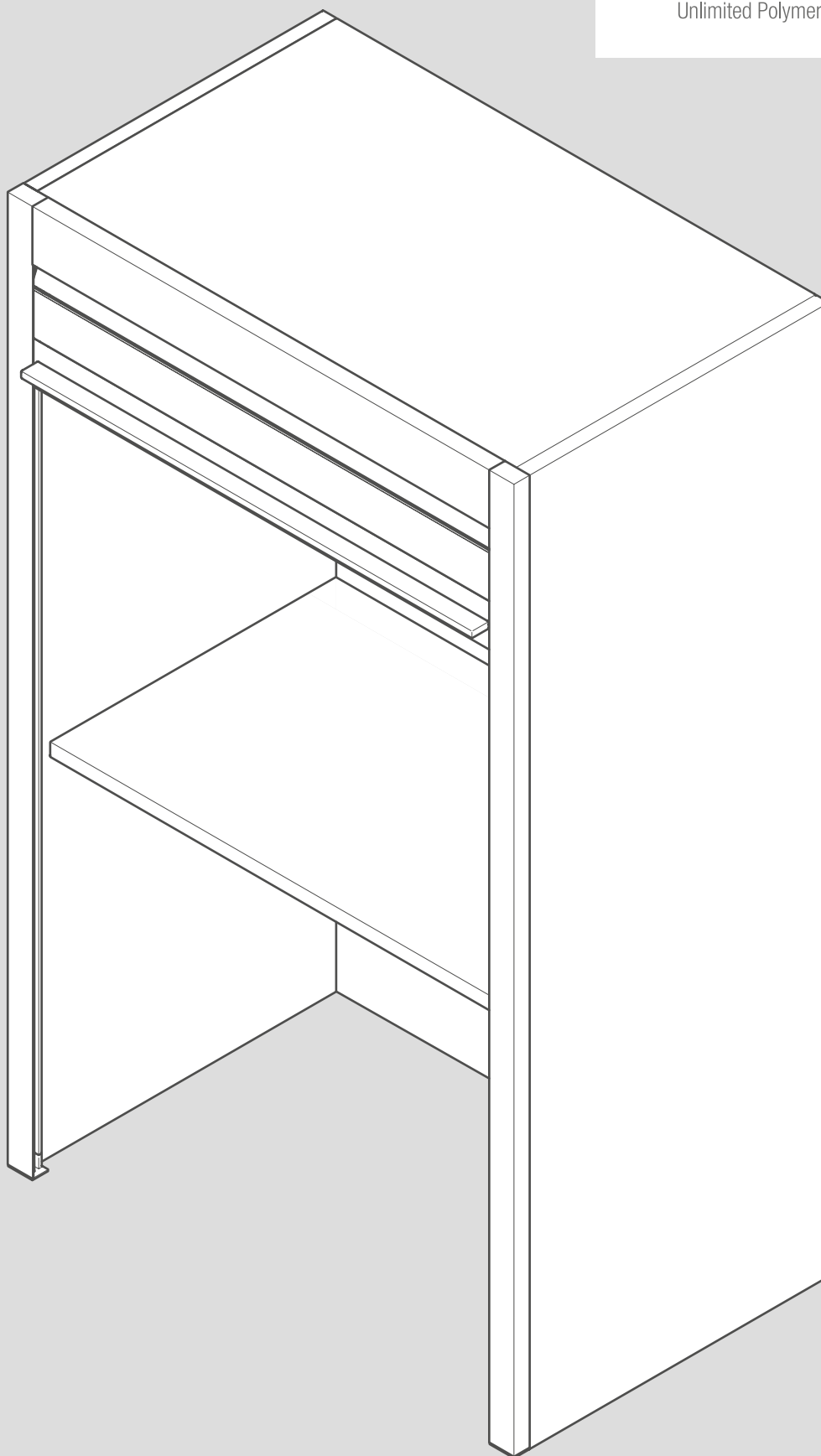




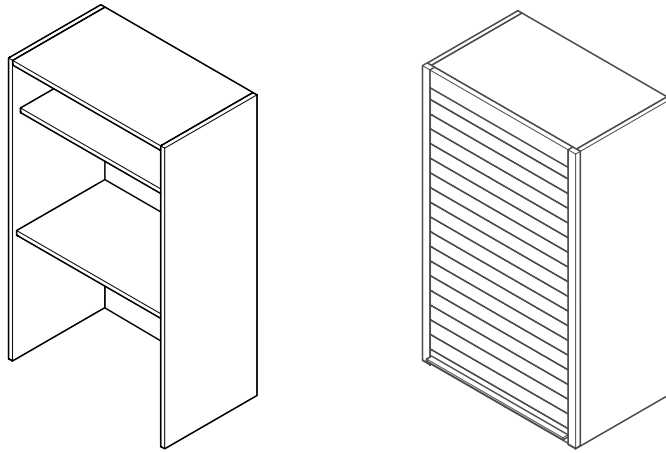
REHAU[®]

Unlimited Polymer Solutions*

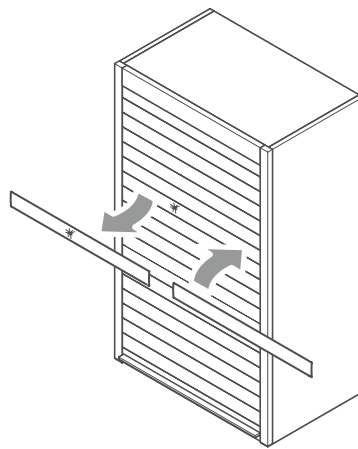


RAUVOLET CRYSTAL-LINE cassette

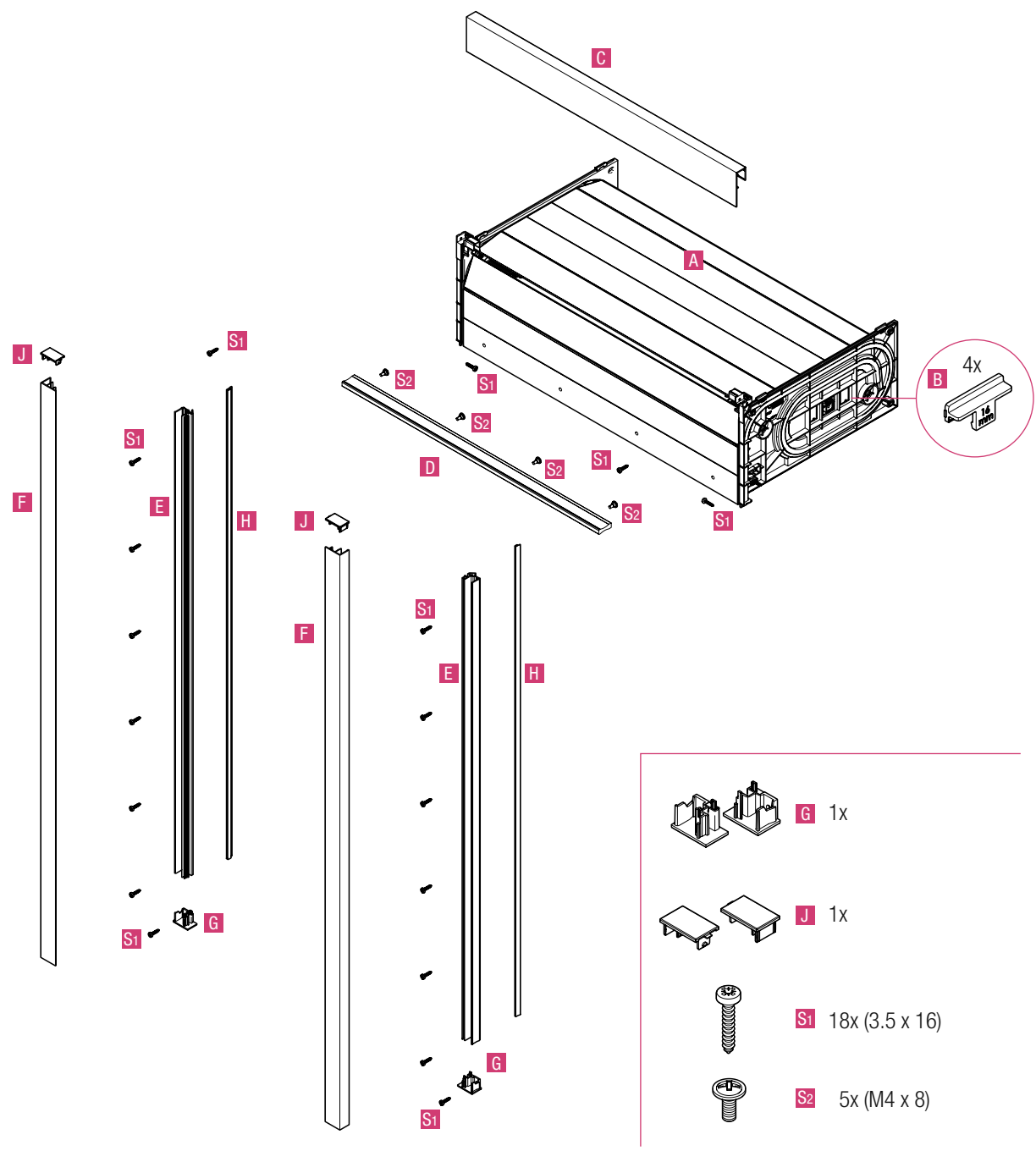
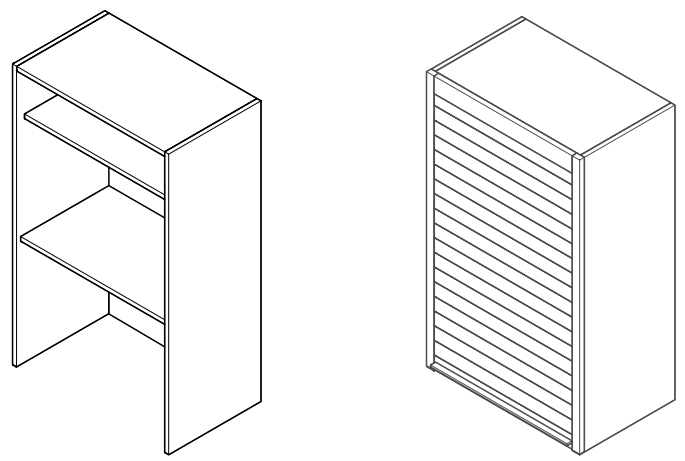
A → 3

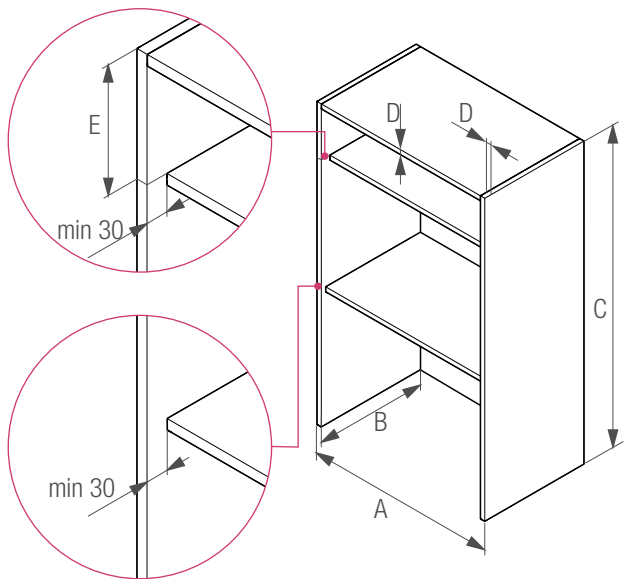


B → 13



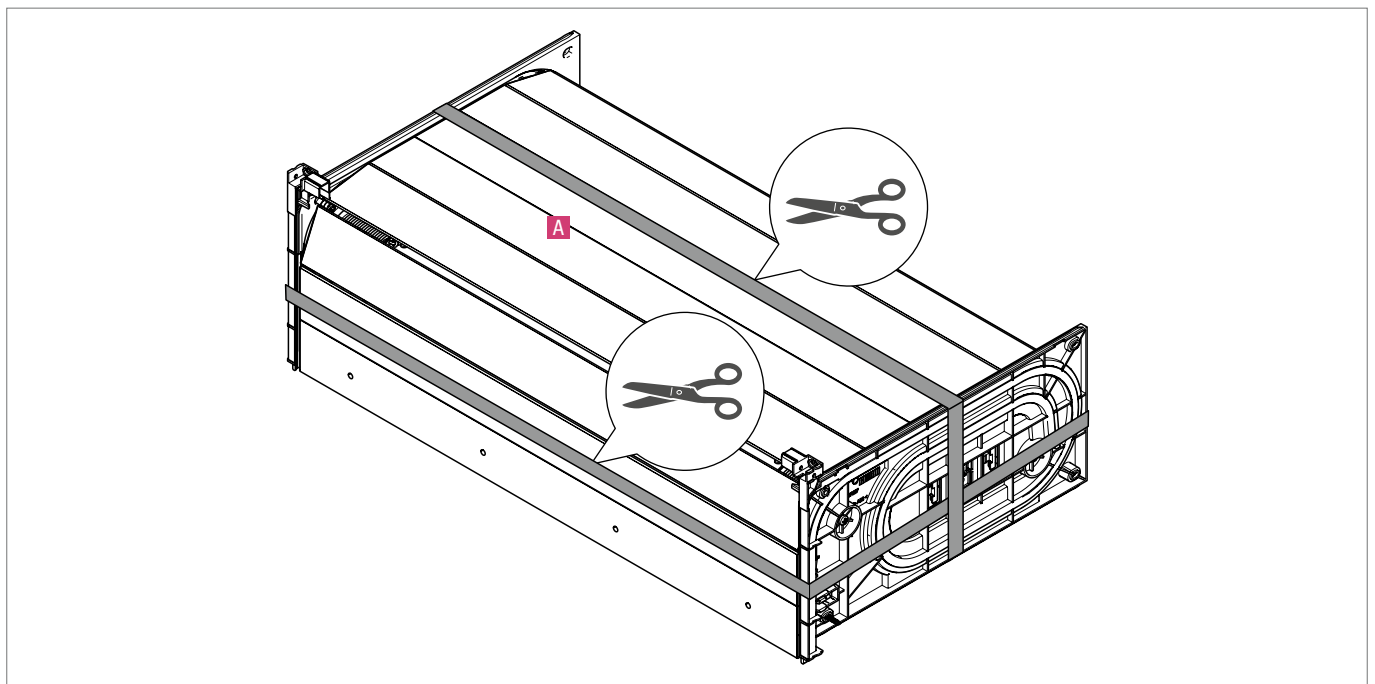
A

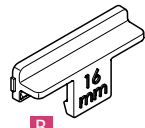




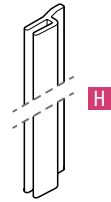
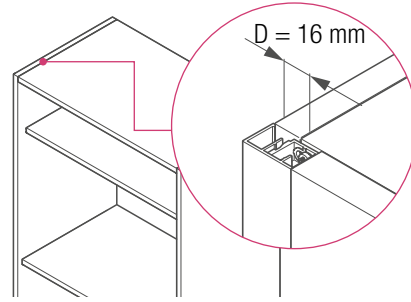
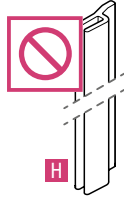
A	B	C	D
[mm]	[mm]	[mm]	[mm]
600	min. 296	1000	16 / 18 / 19
	min. 296	1500	16 / 18 / 19
900	min. 296	1000	16 / 18 / 19
	min. 296	1500	16 / 18 / 19

C	E
[mm]	[mm]
≤1000	173
>1000	216

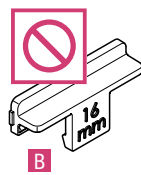
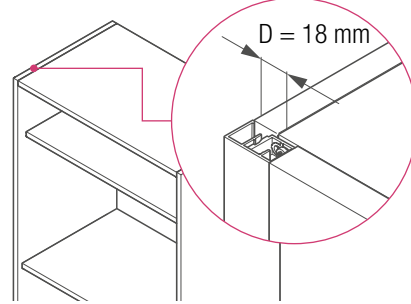
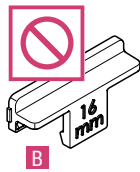




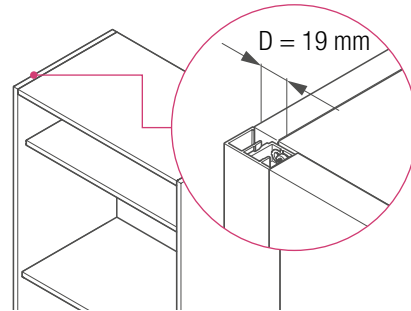
D = 16 mm



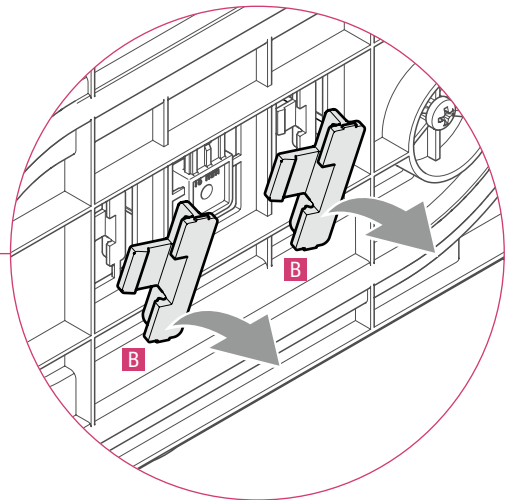
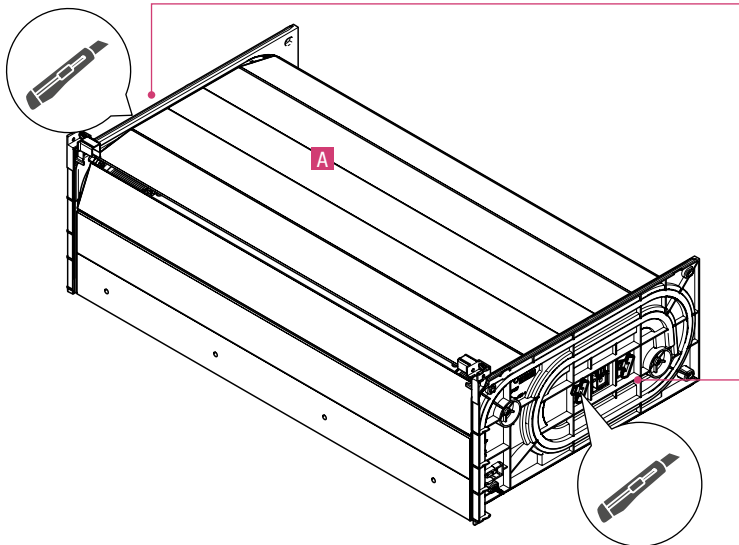
D = 18 mm



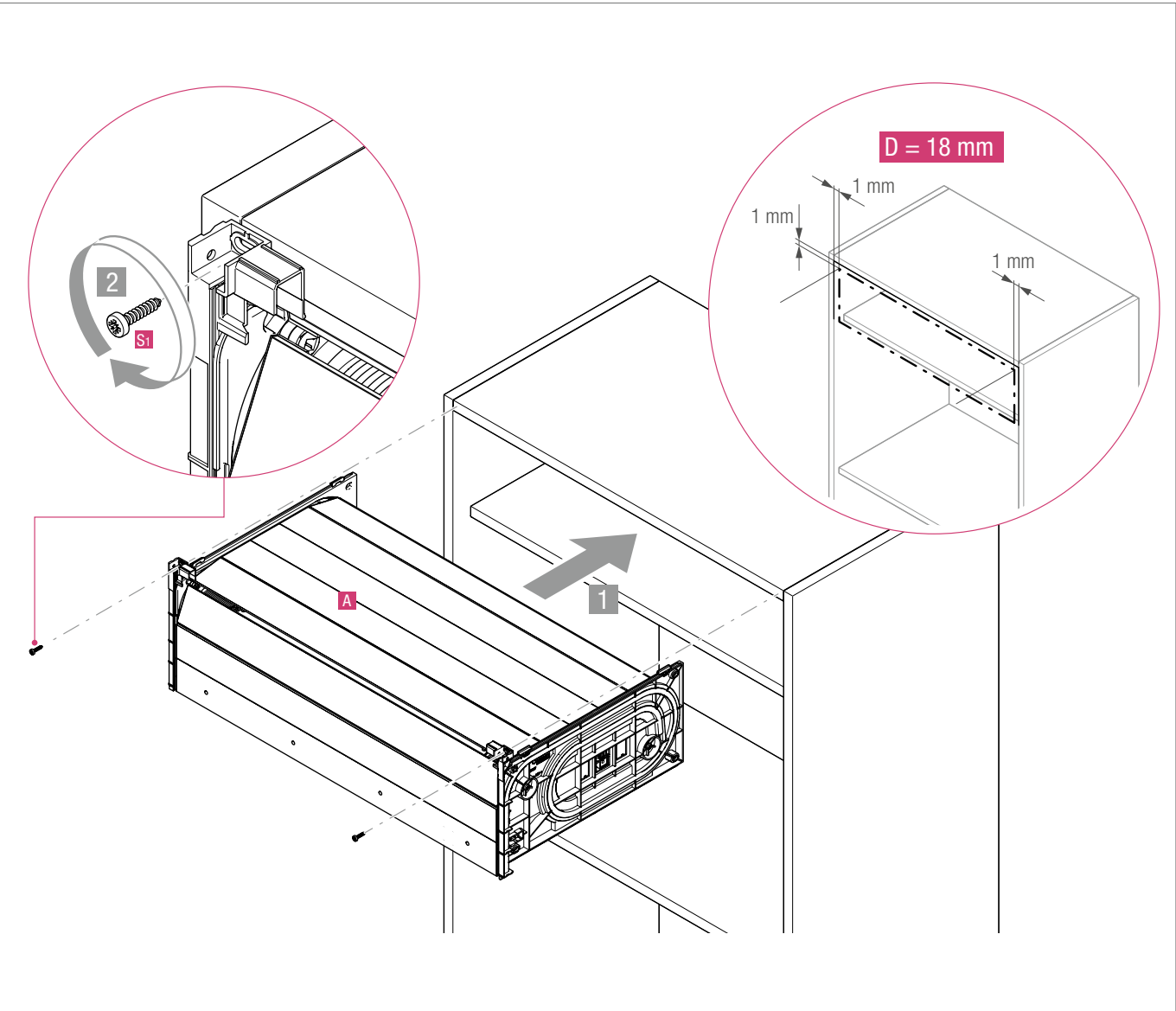
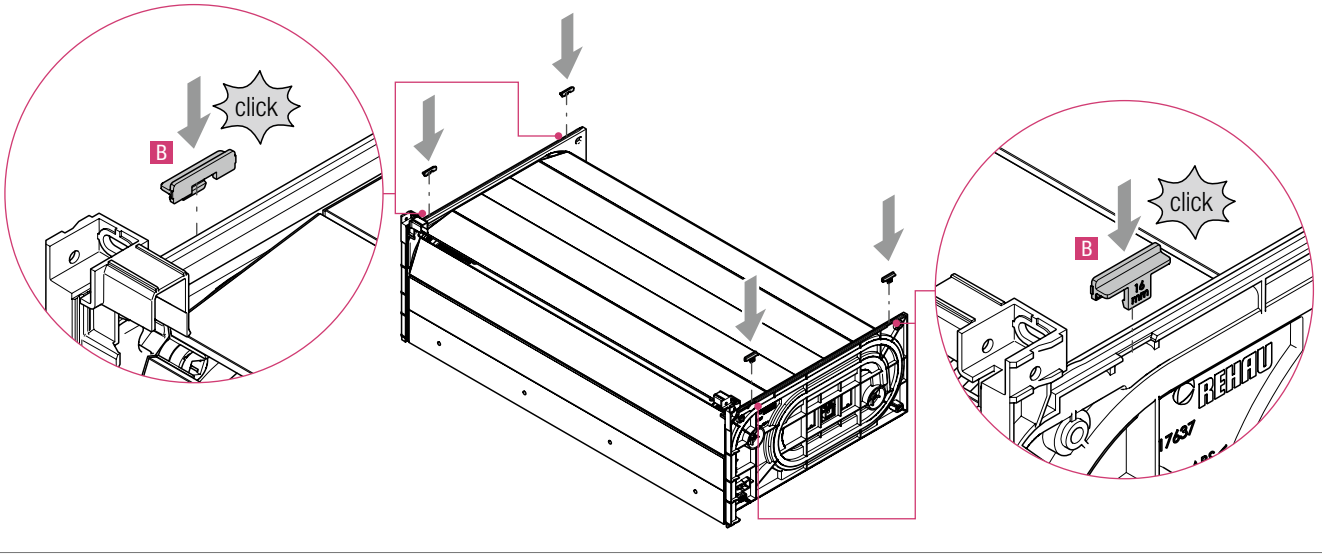
D = 19 mm

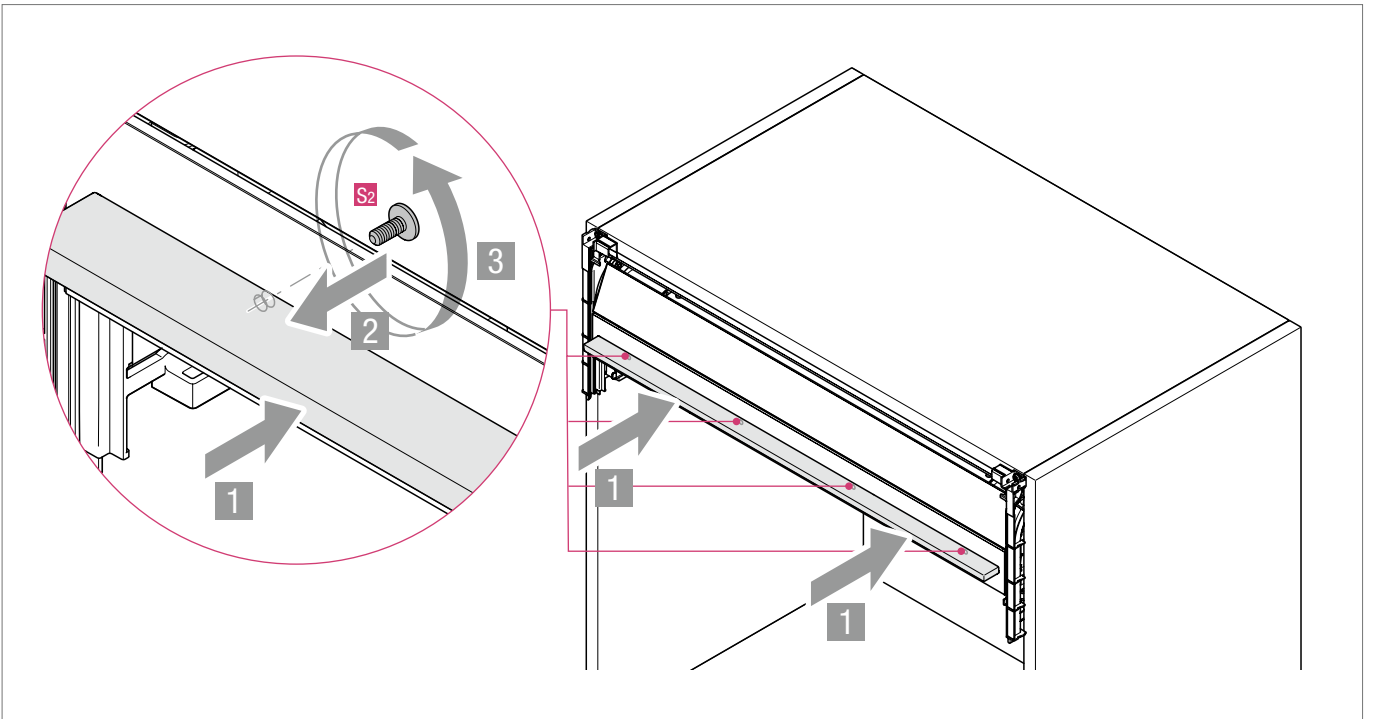
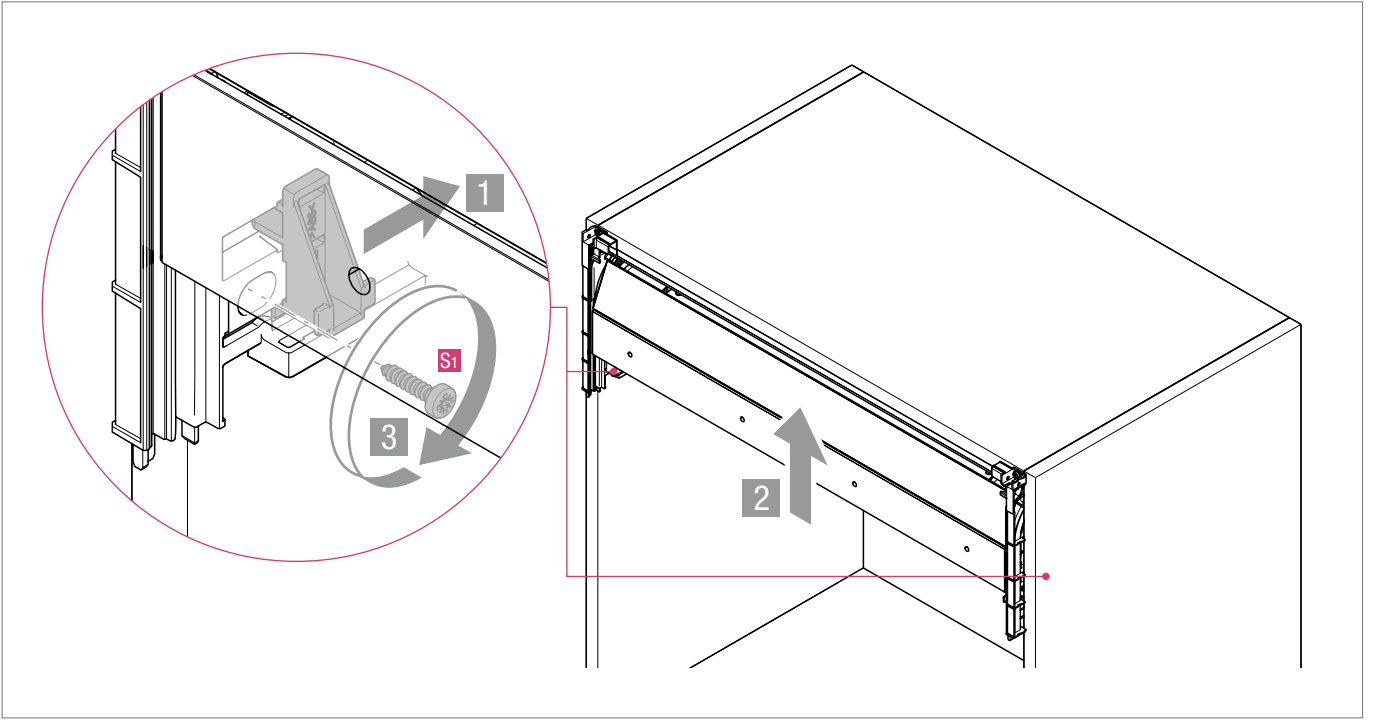


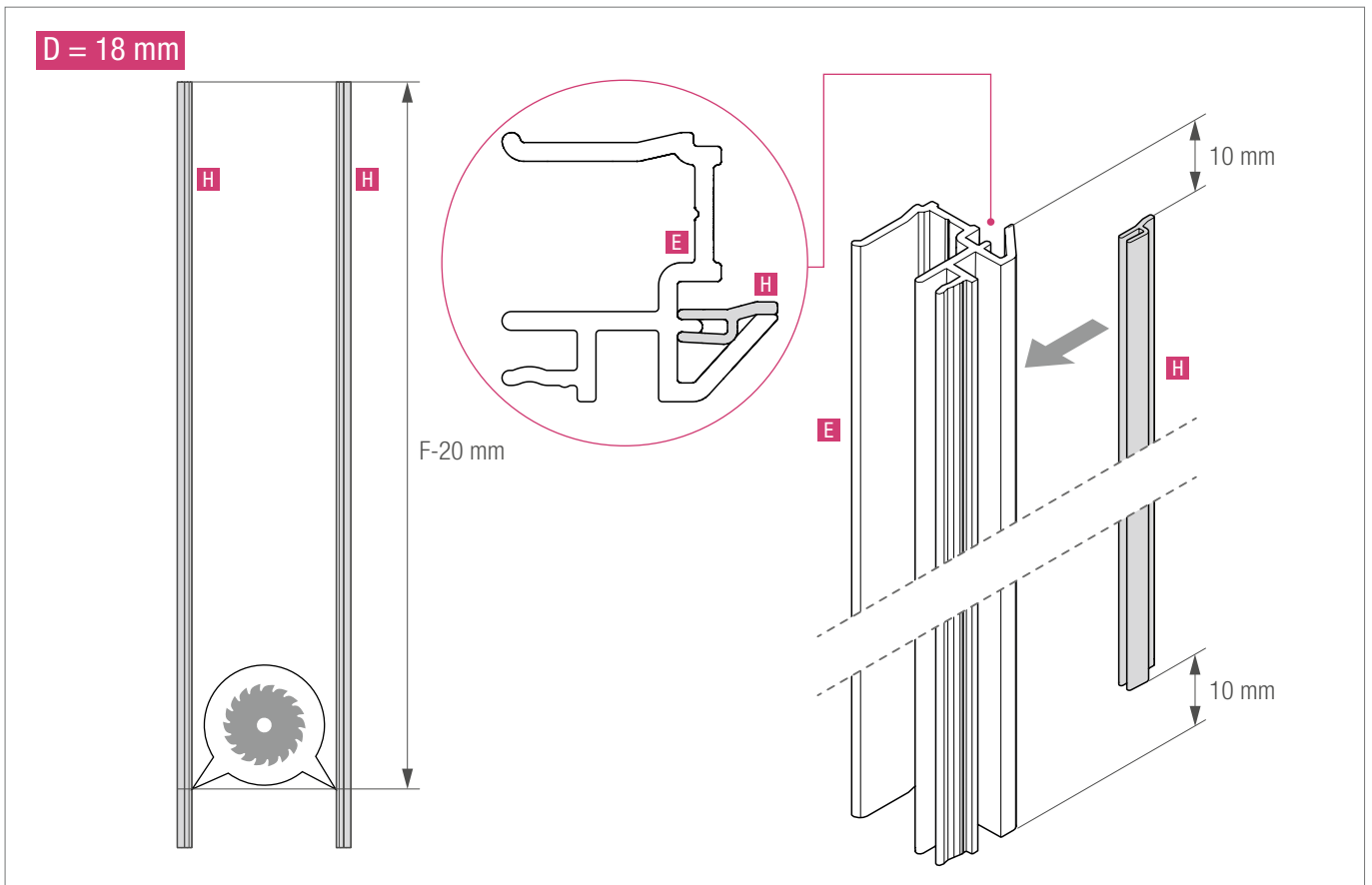
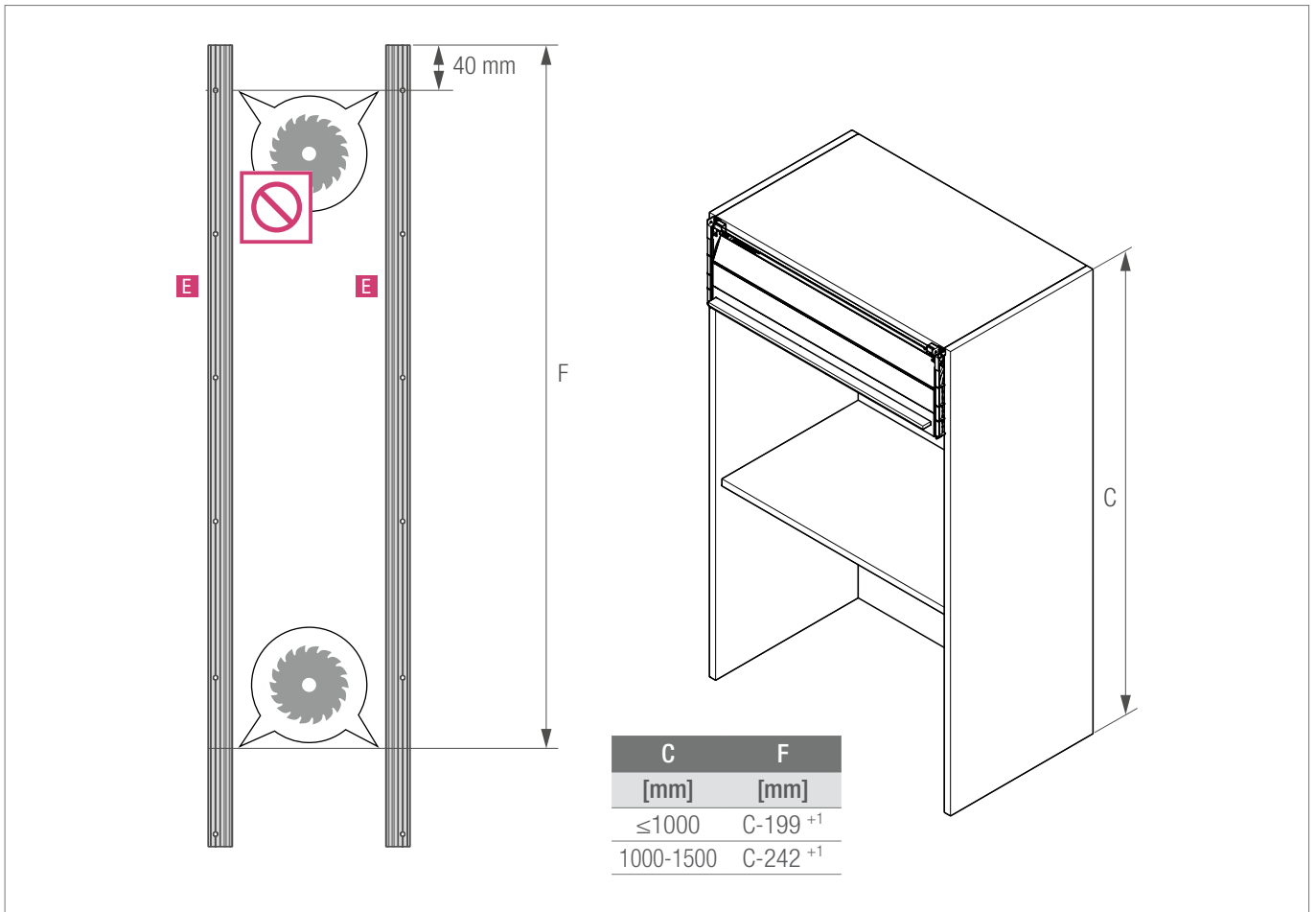
D = 16 mm

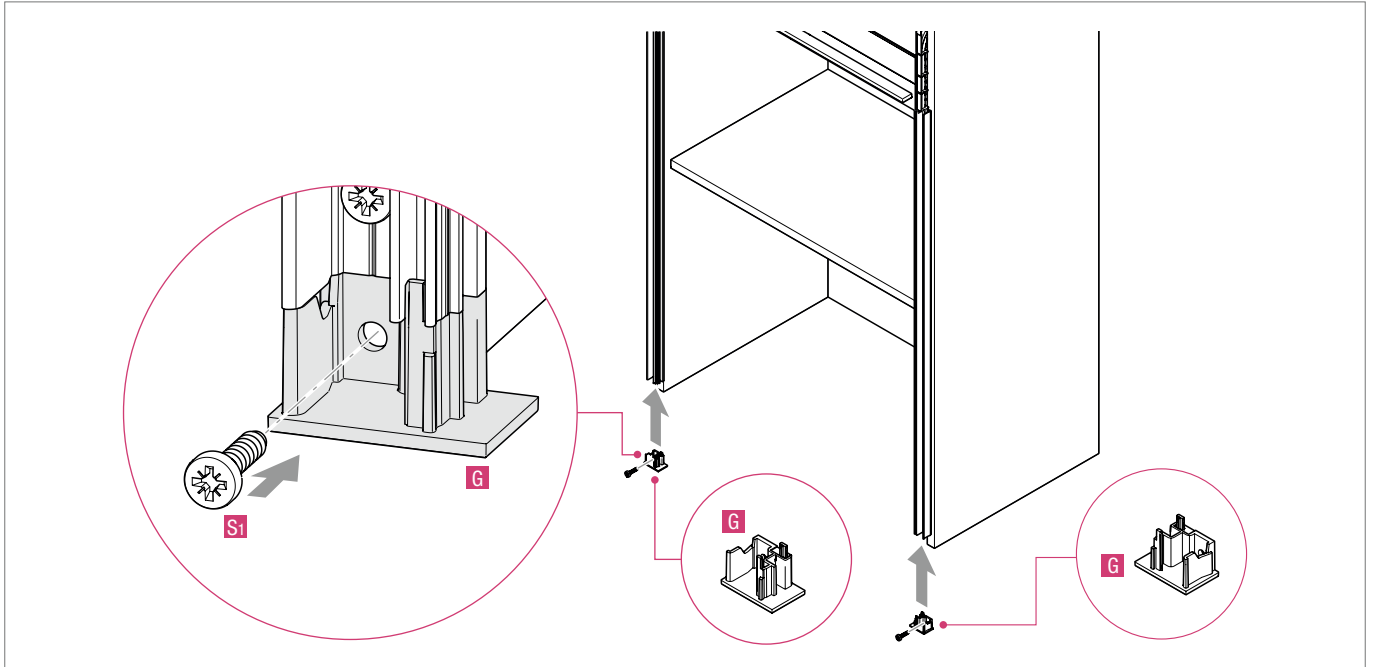
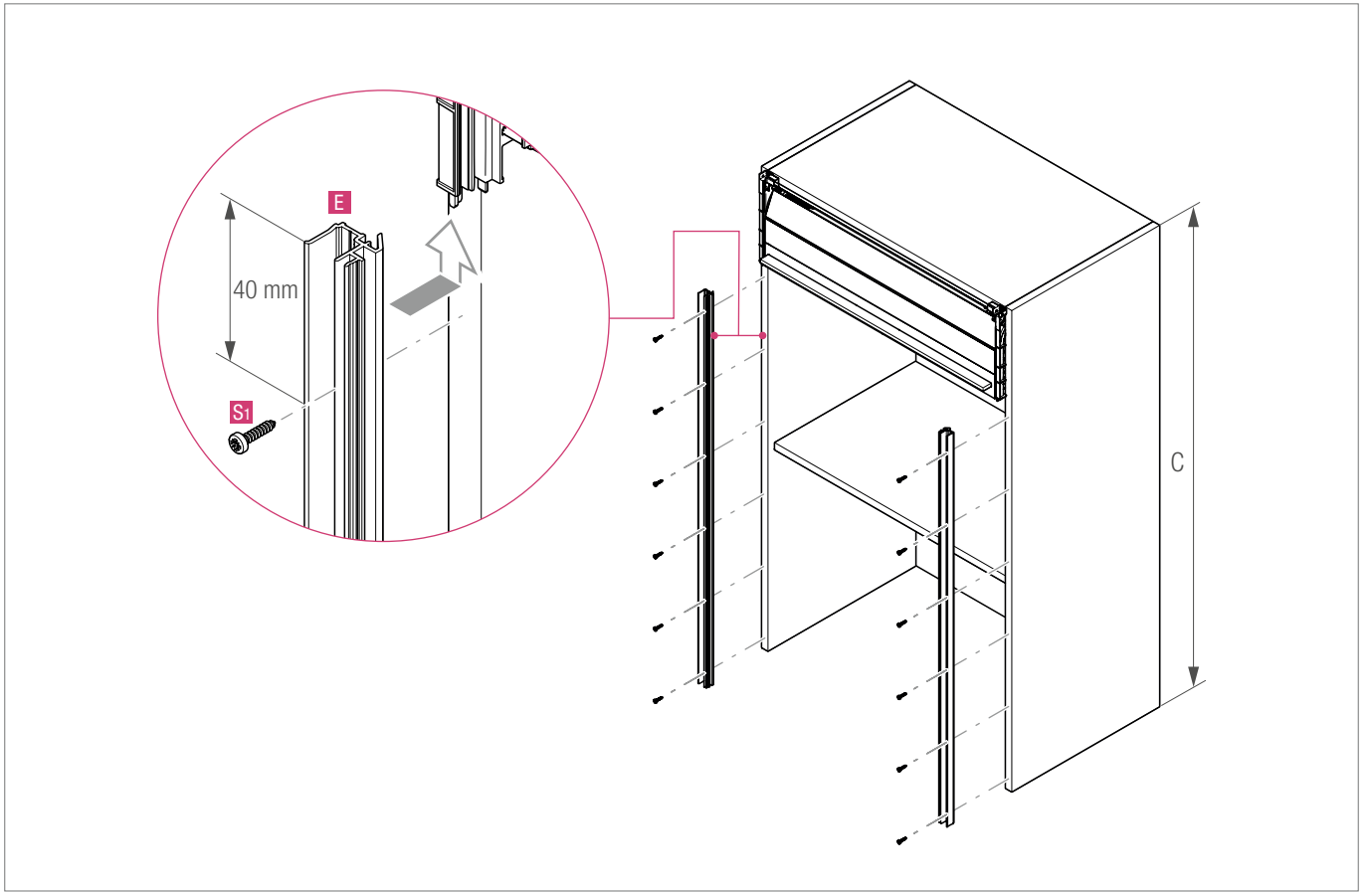


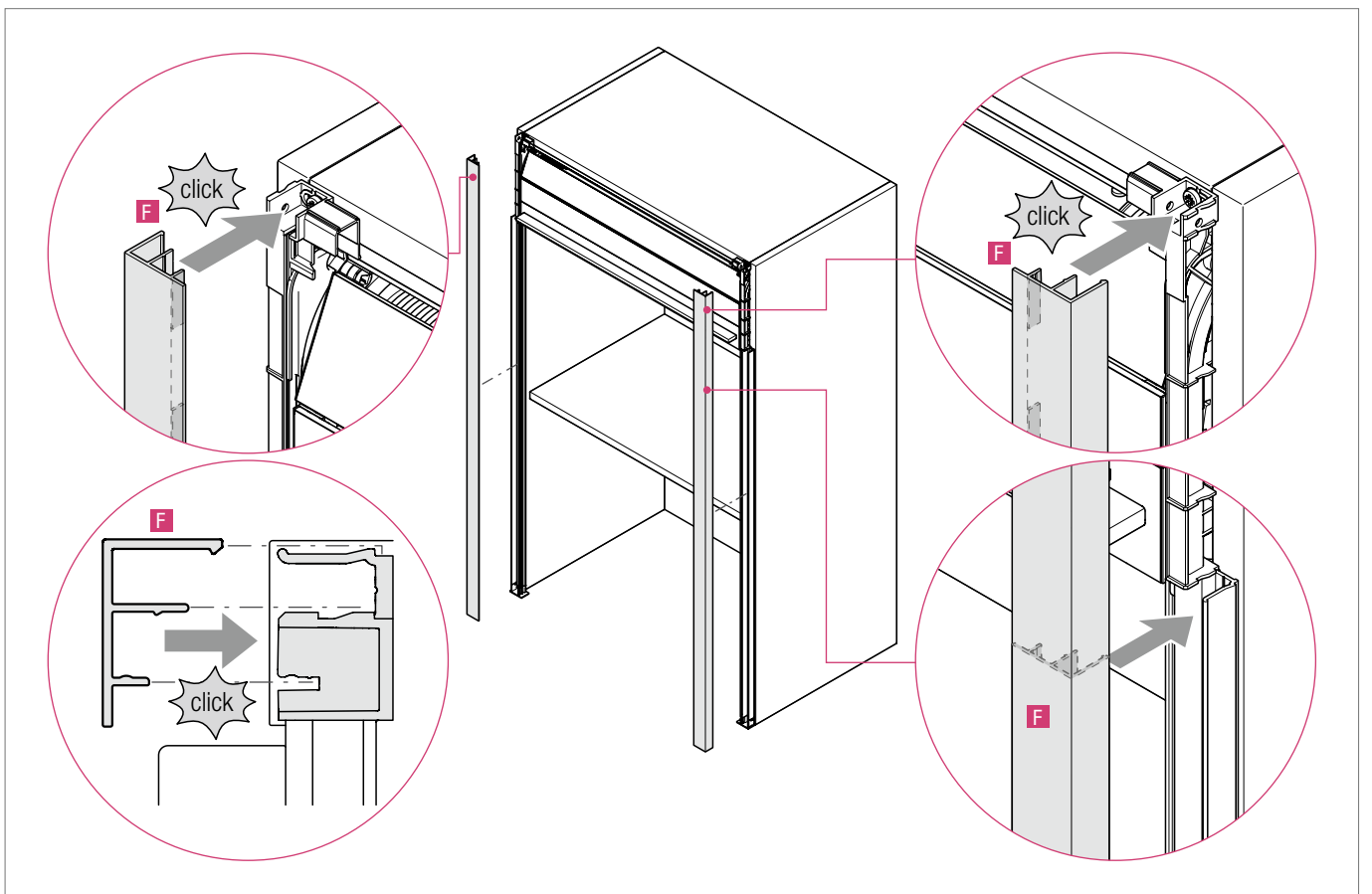
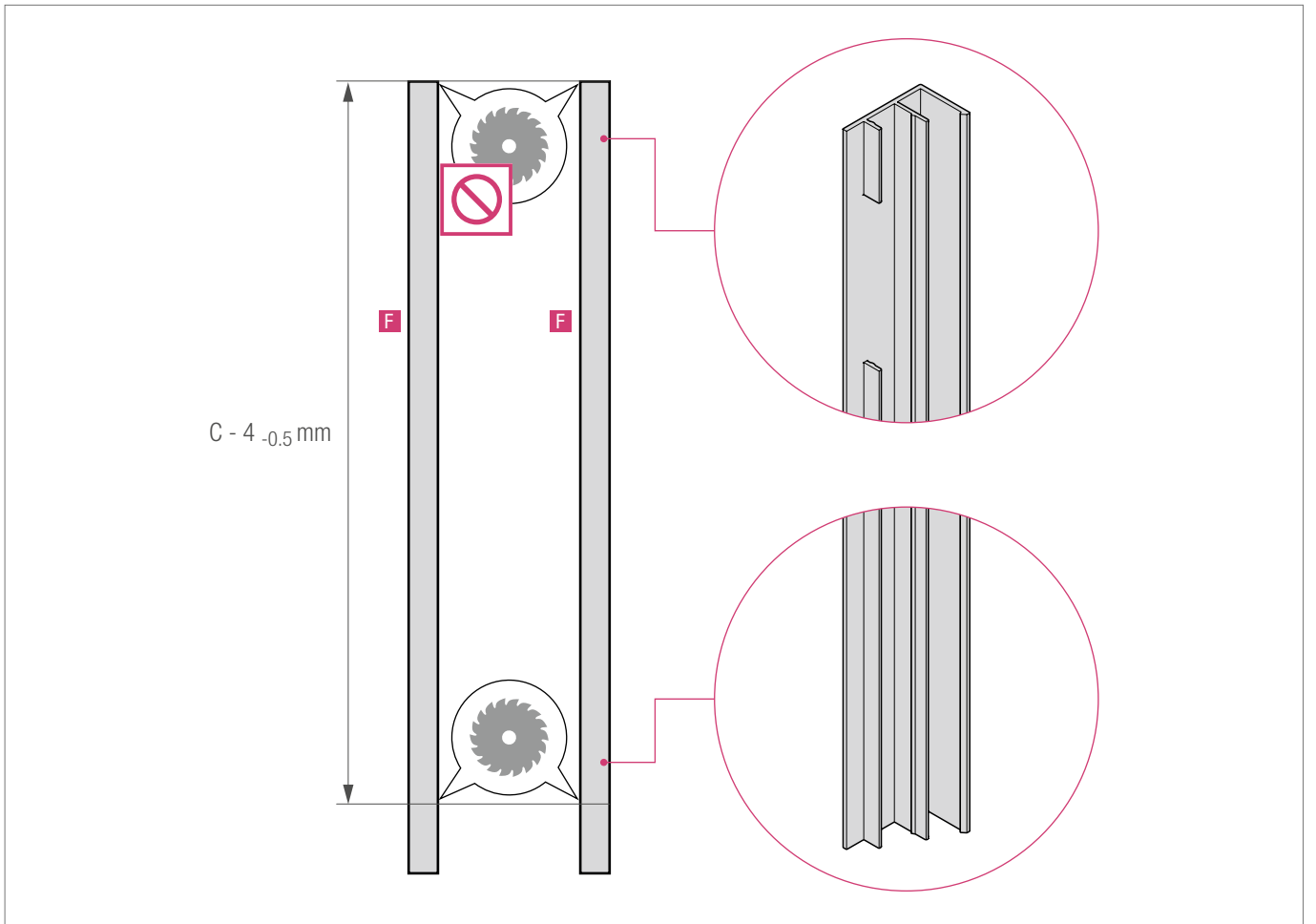
D = 16 mm

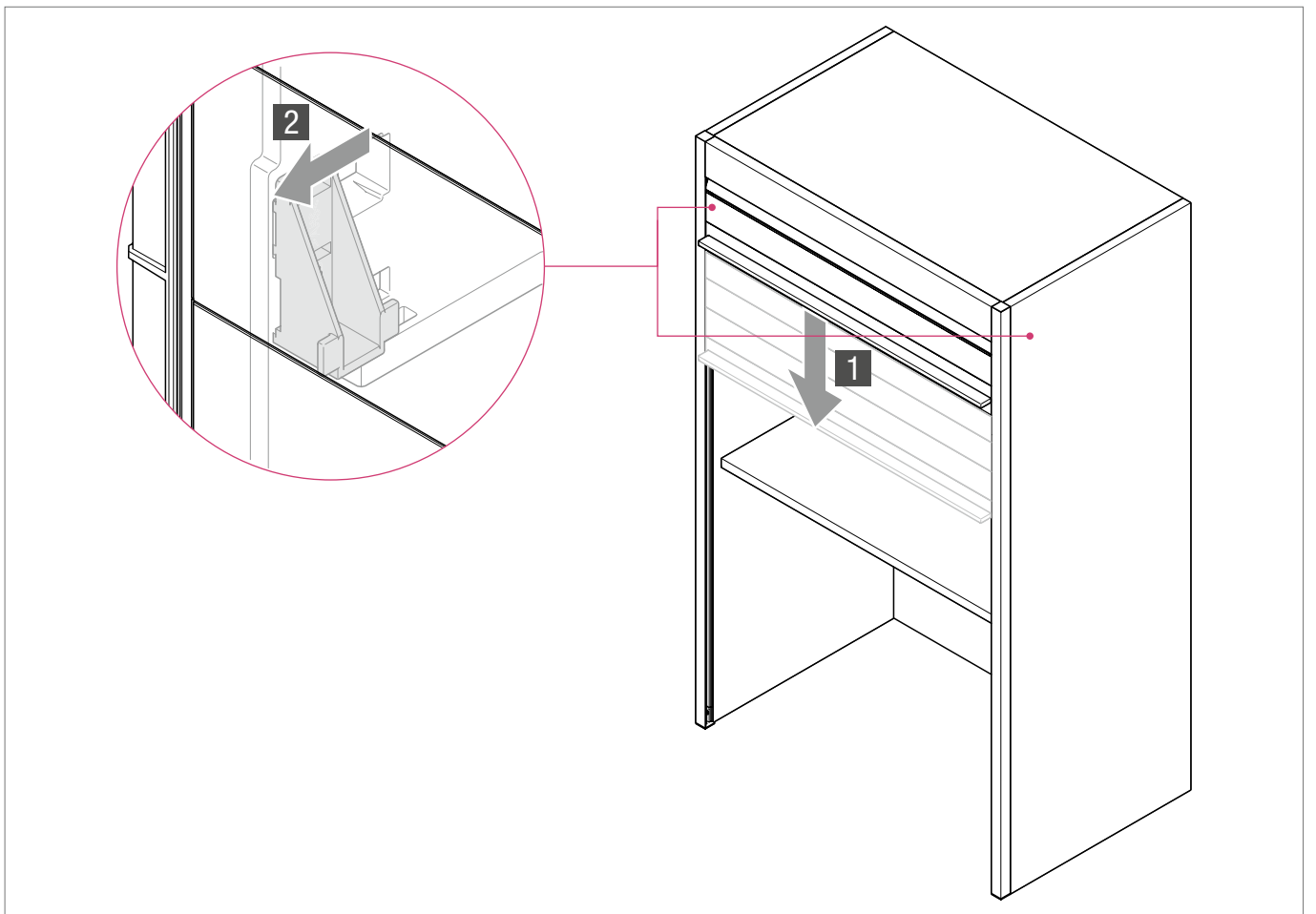
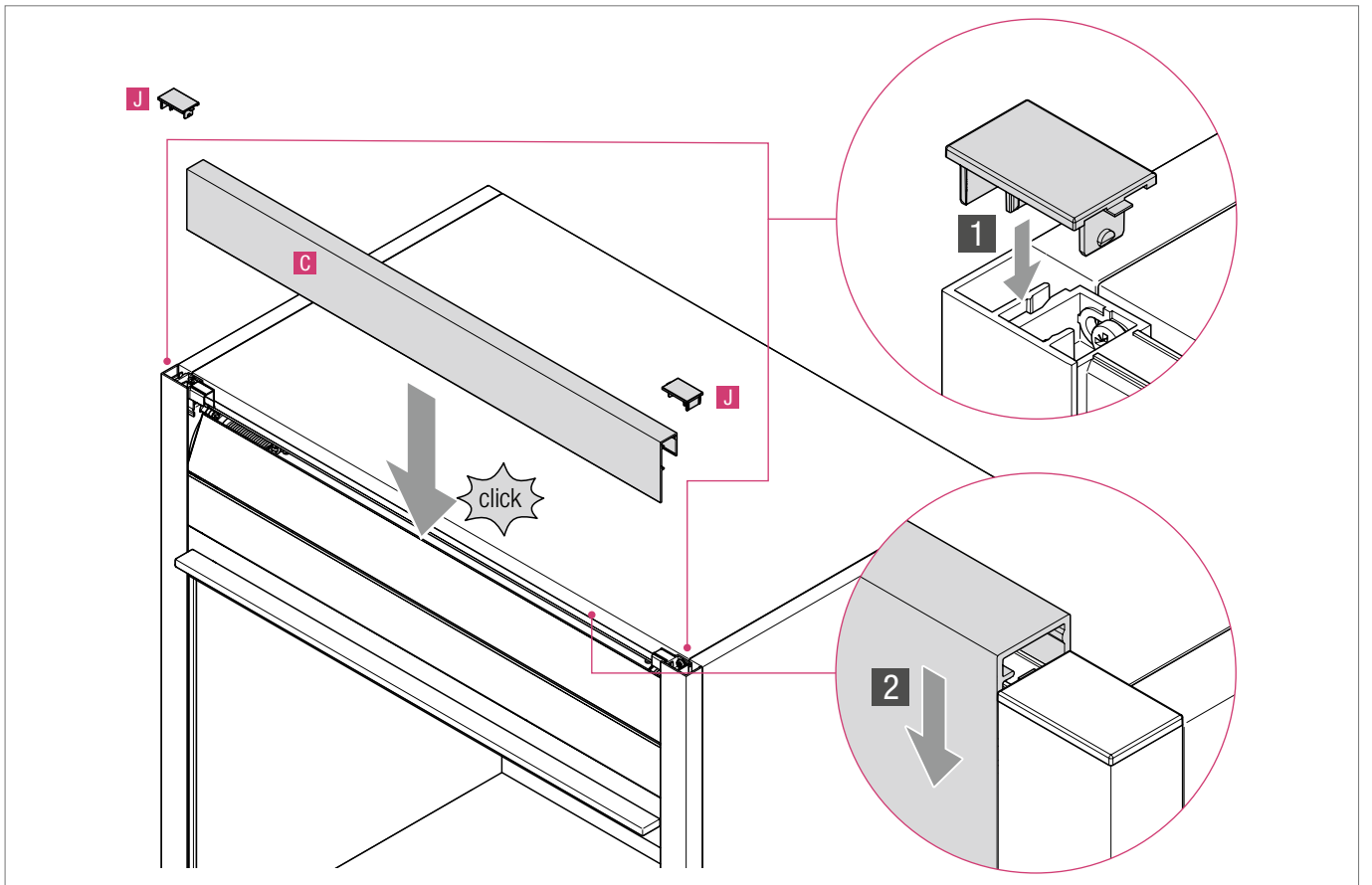


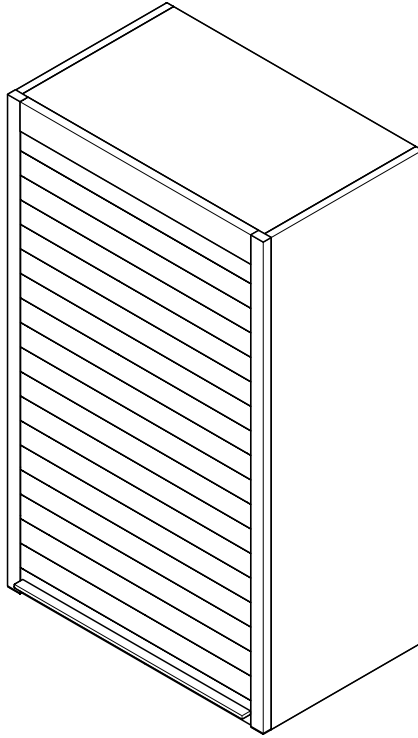












B

