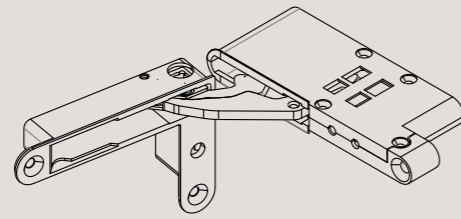


**PEFIL FACTOR
RECESSED HINGES
WITH LOAD CAPACITY
30 KG**

Recessed hinges with load capacity 30Kg



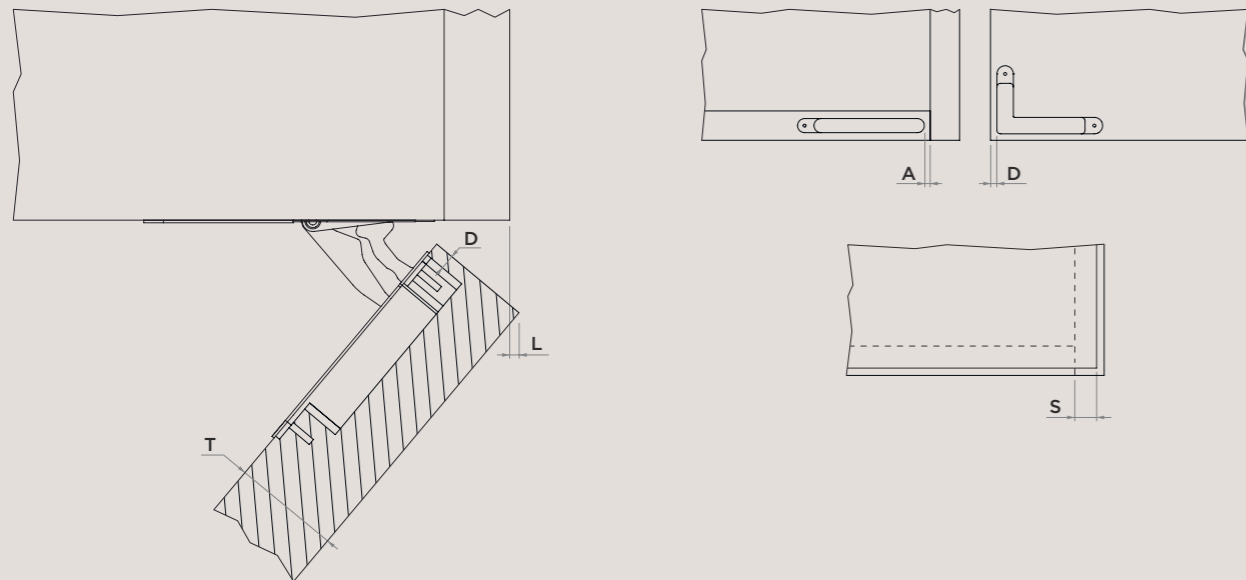
_recessed hinges 30Kg



_door opening space requirements

$A = (22.5 + D) - S$

$S_{max} = 26.5mm (T = 20)$

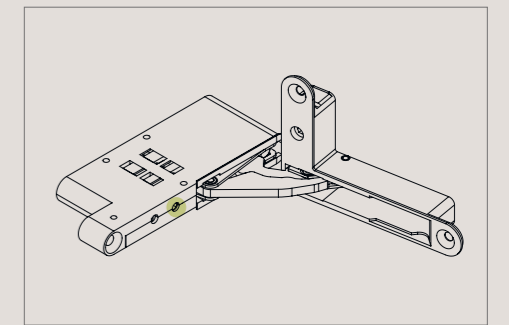
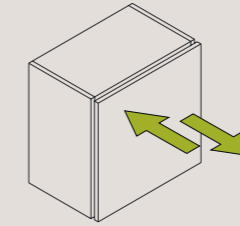


	T=20	T=22	T=24	T=26	T=28	T=30	T=32	T=34	T=36	T=38	T=40
L (D=3)	-	-	-	-	-	0.5	1	1.8	2.9	4.3	5.8
L (D=4)	-	-	-	-	0.2	0.5	1	1.8	2.8	4	5.5
L (D=5)	-	-	-	-	0.2	0.5	1	1.6	2.6	3.8	5.1
L (D=6)	-	-	-	-	0.2	0.5	1	1.6	2.5	3.6	4.8
L (D=7)	-	-	-	-	0.2	0.5	1	1.6	2.1	3.3	4.6

_3D adjustments

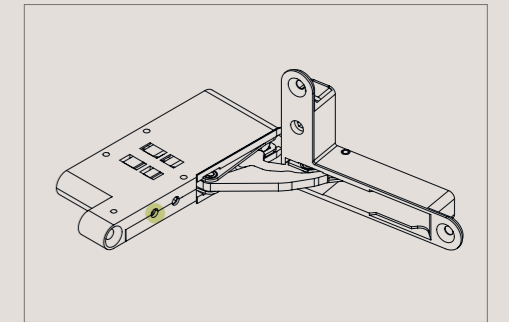
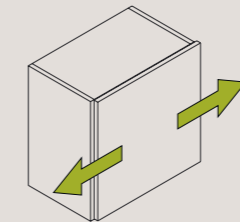
_front adjustment

+ 2mm / - 0.5mm



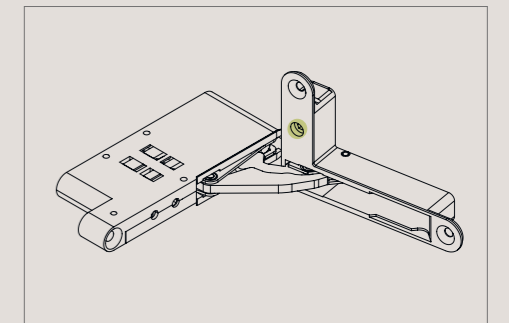
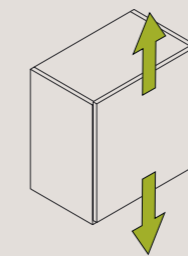
_lateral adjustment

± 2mm



_vertical adjustment

± 2mm



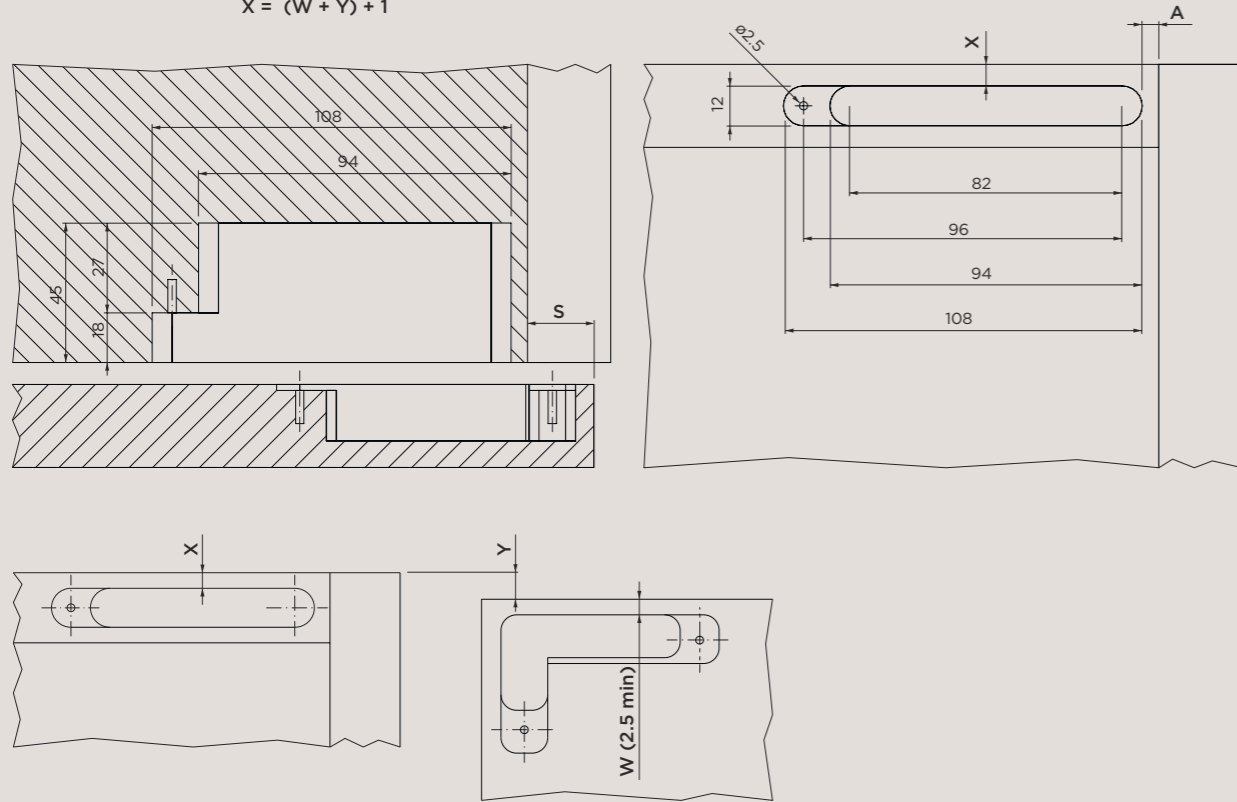
_milling on top and bottom panels

$$A = (22.5 + D) - S$$

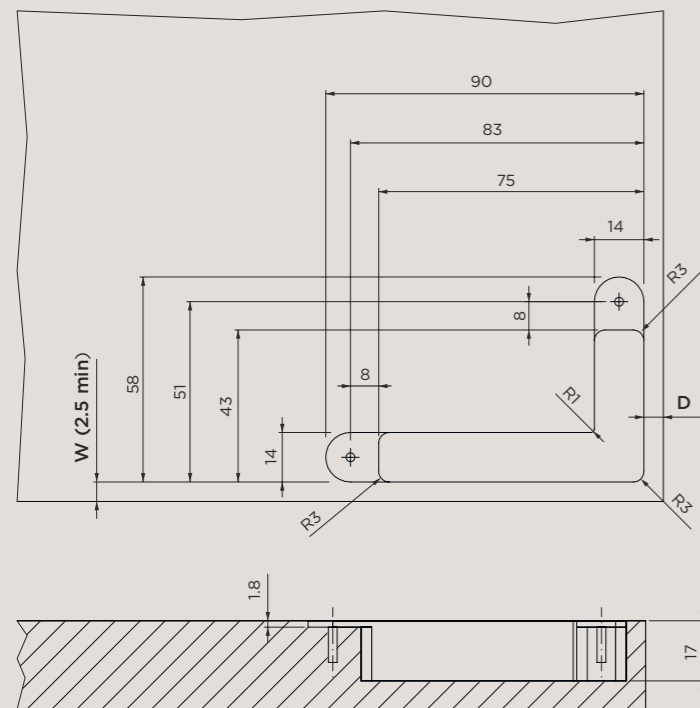
$$Y = (X - W) - 1$$

$$W = (X - Y) - 1$$

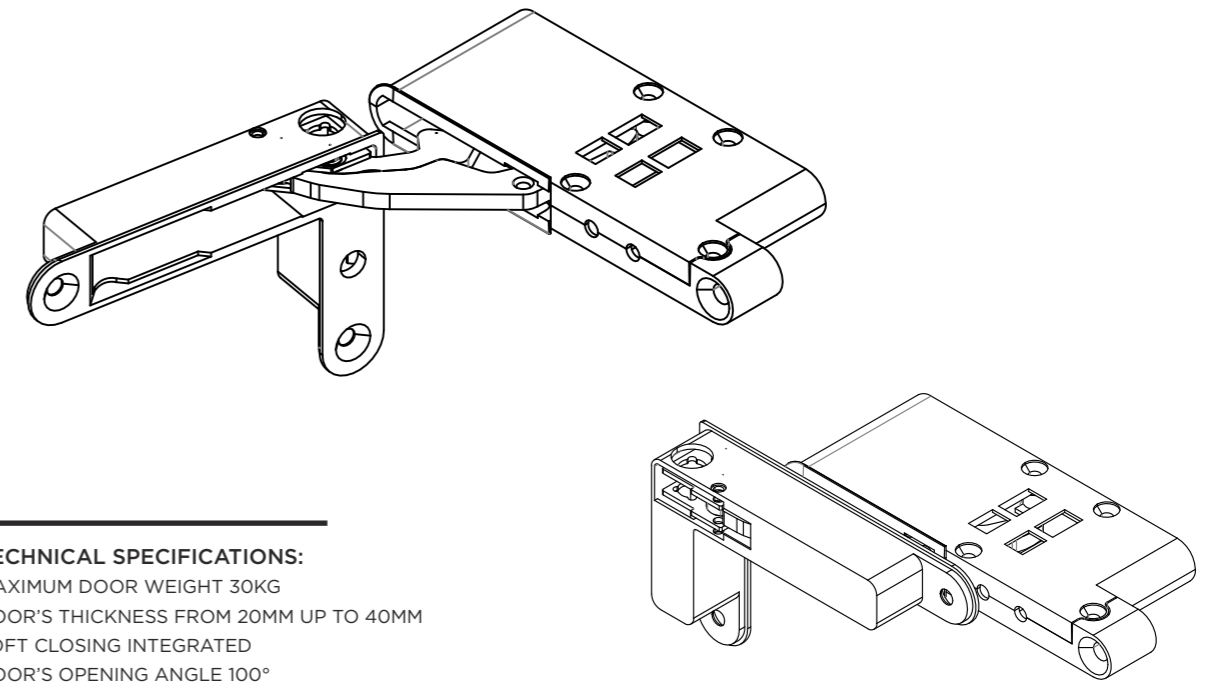
$$X = (W + Y) + 1$$



_milling on wooden door



RECESSED HINGES WITH INTEGRATED SOFT CLOSING 30KG

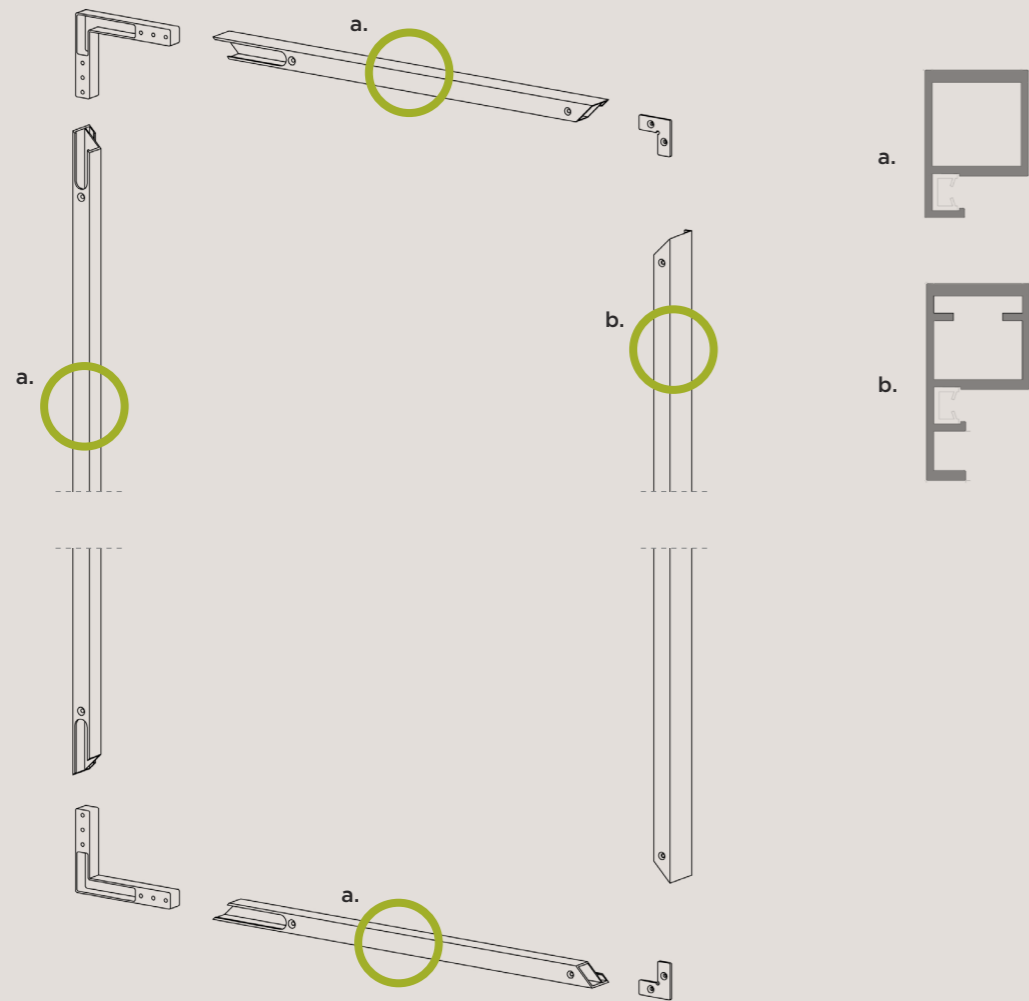


TECHNICAL SPECIFICATIONS:

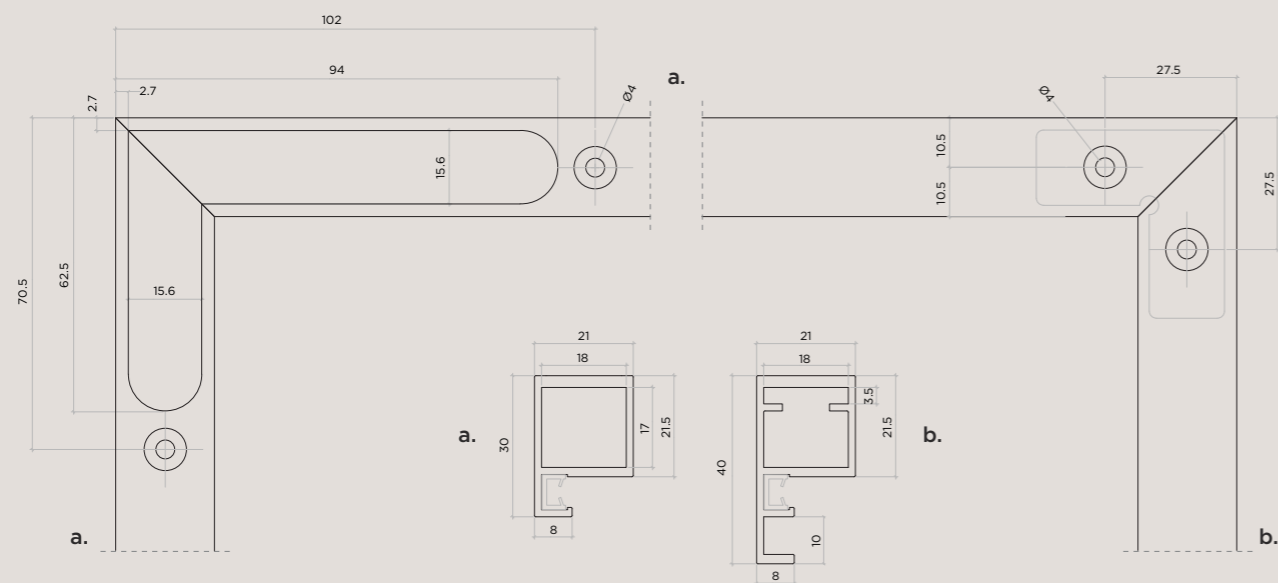
- MAXIMUM DOOR WEIGHT 30KG
- DOOR'S THICKNESS FROM 20MM UP TO 40MM
- SOFT CLOSING INTEGRATED
- DOOR'S OPENING ANGLE 100°

ITEM	SPECIFICATIONS	FINISHING
	Right	Black
	Left	Black

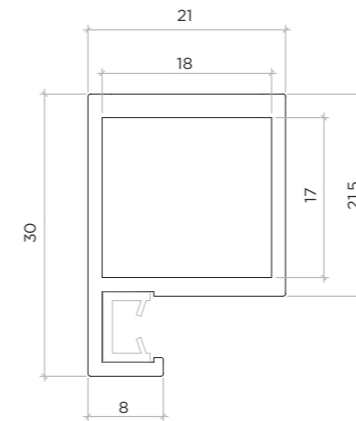
_aluminium profiles for Invix glass door: application with hinged profile and handle profile



_technical information



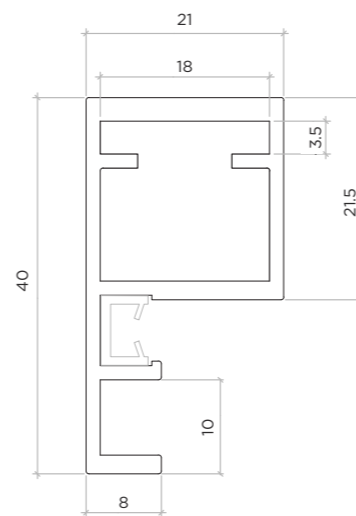
ALUMINIUM PROFILES



ITEM	FINISHING	LENGTH (mm)
HH165.004.001	Brown Metal Grey	3000

Other measures available on request.

ITEM	SPECIFICATIONS	LENGTH (mm)
HP010.001.004	Rubber gasket for glass 5mm	2600

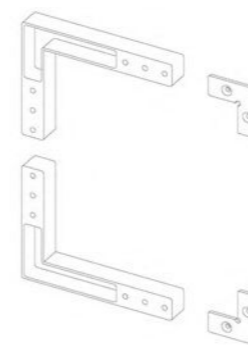


ITEM	FINISHING	LENGTH (mm)
HH165.003.001	Brown Metal Grey	3000

Other measures available on request.

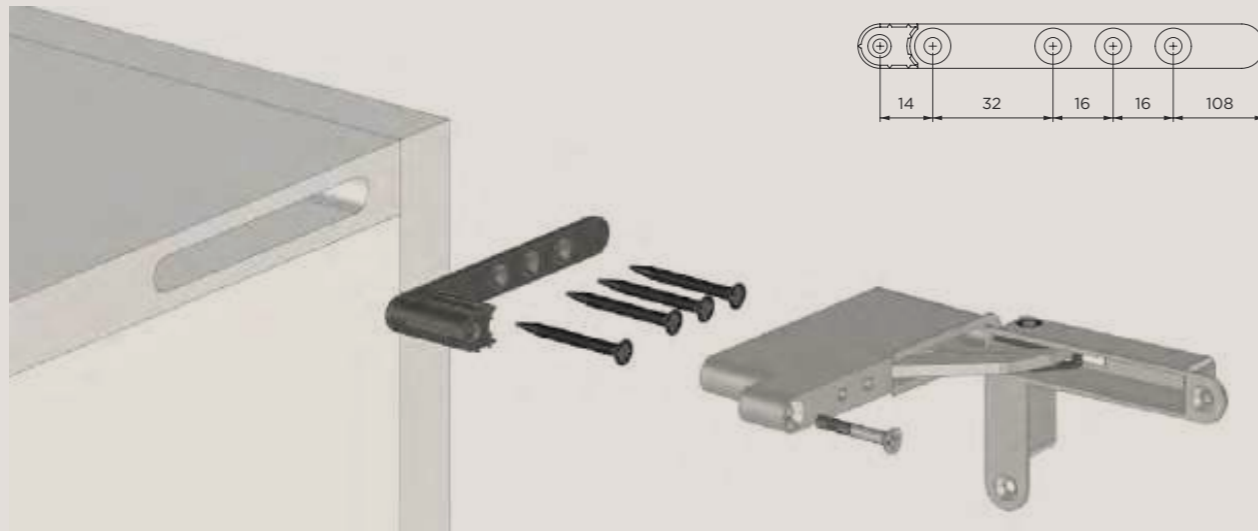
ITEM	SPECIFICATIONS	LENGTH (mm)
HP010.001.004	Rubber gasket for glass 5mm	2600

CORNER CONNECTORS FOR ALUMINIUM DOOR



ITEM	SPECIFICATIONS
HH165.002.004	Kit composed by 1 big bracket left, 1 big bracket right and 2 small brackets. 14 screws M4x12 black oxid and 14 screws M4x12 zinc plated.

_fixing support for top and bottom panels (optional)



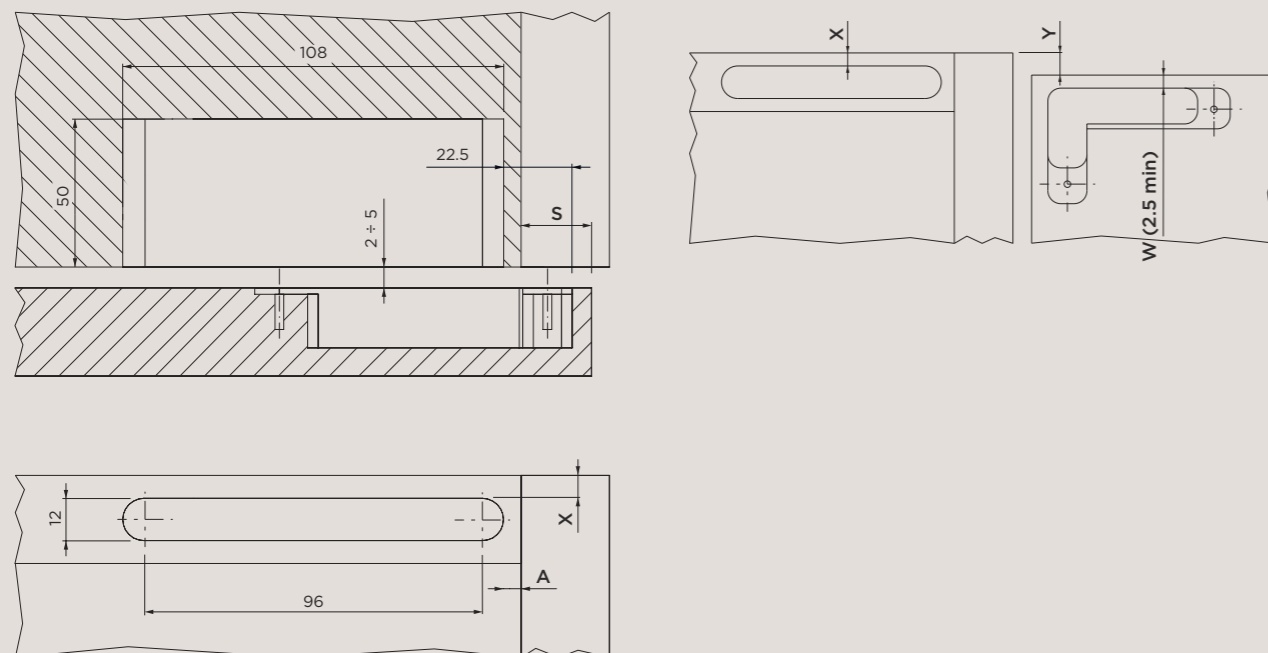
_top and bottom panel drilling for fixing support

$$A = (22.5 + D) - S$$

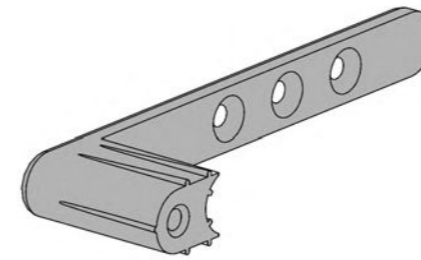
$$Y = (X - W) - 1$$

$$W = (X - Y) - 1$$

$$X = (W + Y) + 1$$



FIXING SUPPORT (OPTIONAL)



ITEM	SPECIFICATIONS
HH165.005.001	Set of left and right